



CATALOG

HIGH-END DECORATIVE STRIP

First-class corporate reputation
First-class after-sales service
First-class product quality

Your Guide to New Products

www.Shinebaseboard.com



FOCUS ON QUALITY AND GAIN DEEP RECOGNITION FROM MANY OVERSEAS CUSTOMER

High quality

24x7H

24x7 HOURS
SERVE

Remarkable
technique

100%

CUSTOMER
PRODUCT FORMULAS

Outstanding
team

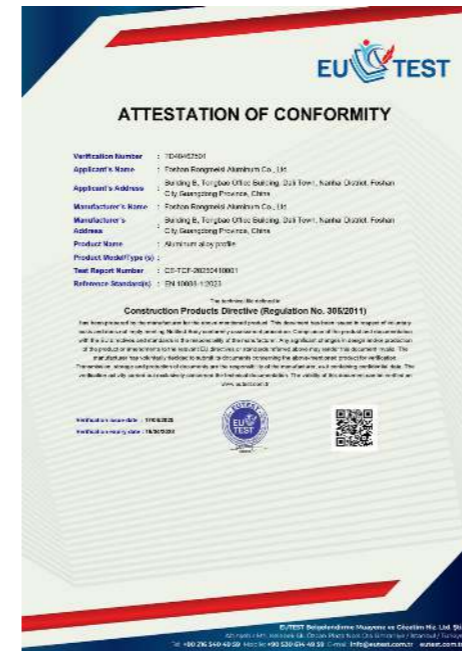
500

TONS OF
RAW MATERIALS INVENTORY
PER MONTH

Foshan Rongmeisi Aluminum Co., Ltd. Located in Foshan Dali, "the first town of aluminum in China", we are an enterprise integrating industry, trade and development, taking European standard industrial aluminum profiles as the standard, with superb technology and strong strength as the capital, specializing in designing, developing, producing and selling aluminum skirting and aluminum skirting accessories.

Our modern workshop covers an area of 4,000 square meters and has advanced equipment, such as high-precision mold opening, extrusion, cutting, drilling, tapping, polishing and painting machines. With its advanced marketing consciousness, lofty innovation spirit, strict quality management and unremitting efforts of all staff, we have designed and developed many market leading products. We provide one-stop production services and tailor-made solutions for our customers, which really save their hearts and energy.

The company has a professional operation department, finance department, customer service department, design department, warehouse department, production department and professional sales team, with a scientific quality management system. The company has developed rapidly in recent years, and the integrity, strength and product quality of the enterprise have been recognized by the industry. "Quality, integrity, innovation and win-win" is our business philosophy, and our goal is to provide the best service and quality products to satisfy every customer. We look forward to cooperating with you in the near future and growing together.



CONTENTS

LED skirting board

P6-P21

RMS-A3 (8/10/12CM 卡扣灯带款)	P6
RMS-A7 (5CM 卡扣灯带款)	P8
RMS-A8 (内嵌灯带款)	P10
RMS-A9 (明装灯带款)	P12
RMS-A12 (弧形灯带款)	P14
RMS-A32 (典雅灯带款)	P16
RMS-A36 (上发光卡扣款)	P18
Light Strip (灯带)	P20
Transformer (变压器 / 接线)	P21

Skirting board

P22-P46

RMS-A1 (经典卡扣款)	P22
RMS-A2 (极简打胶款)	P24
RMS-A4 (嵌入式安装款)	P26
RMS-A5 (轻奢卡扣款)	P28
RMS-A5N (自然木韵款)	P30
RMS-A39 (轻奢特厚款)	P32
RMS-A13 (钻石卡扣款)	P34
RMS-A16 (斜面卡扣款)	P36
RMS-A18 (不锈钢款)	P38
RMS-A19 (2CM 款)	P40
RMS-A20 (无痕直边款)	P42
RMS-A33 (双层扣式款)	P44
RMS-A34 (弧形直边款)	P46

Plaster-coated skirting board

P48-P54

RMS-A30 (免开槽批灰款)	P48
RMS-A31 (内嵌批灰款)	P50
RMS-A37 (折弯批灰款)	P52
RMS-A38 (平墙批灰款)	P54

Decorative line

P56-P73

Wall decorative line (护墙装饰线)	P56
Decorative light strip (灯带装饰线)	P66
T line (T 条装饰线)	P67
U line (U 条装饰线)	P70
Z-shaped / Flat decorative line (几字 / 平条装饰线)	P71
Universal Inside Corner (万能阴角 / 18 封边)	P72
L line (L 型装饰线)	P73

Linear light

P74-P107

Line Light(线条灯铝材)	P74
Decorative Edge Line Light (线条灯花边)	P90
Reflective Trough (线条灯回光槽)	P96
Surface-mounted Triangular Aluminum Profile (明装三角铝材)	P99
Cabinet/Wardrobe Aluminum Profile (橱柜衣柜铝材)	P102
Recessed Linear Ground Light (地埋线体灯)	P106
Floating Ceiling Aluminum Profile (悬浮吊顶铝材)	P106
Anti-Slip Stair Lighting (楼梯防滑发光)	P107

Self-adhesive stainless steel

P108

Flat decorative strip(不锈钢平黏胶款)	P108
---------------------------------------	------

Tile trim strip

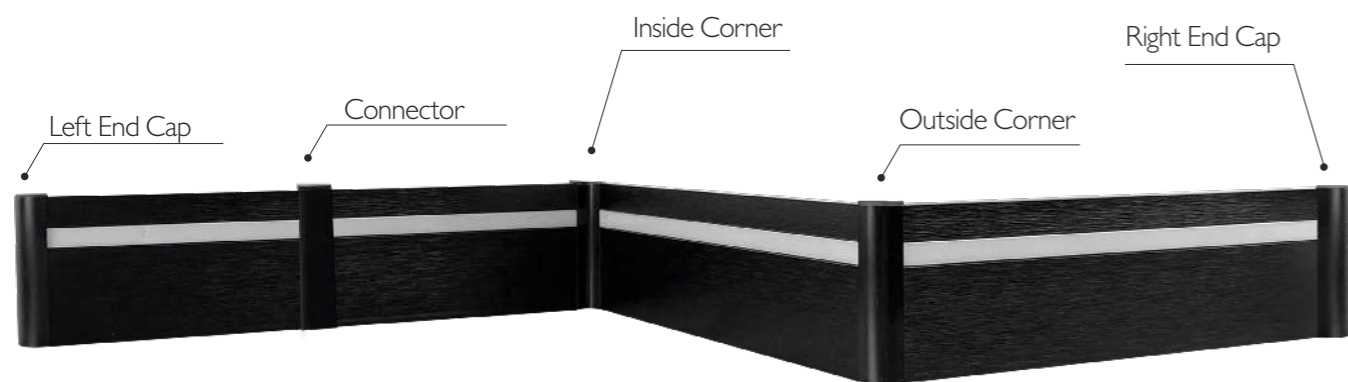
P109

Universal Series for Tiles and Flooring(瓷砖 / 地板通用系列)	P109
---	------

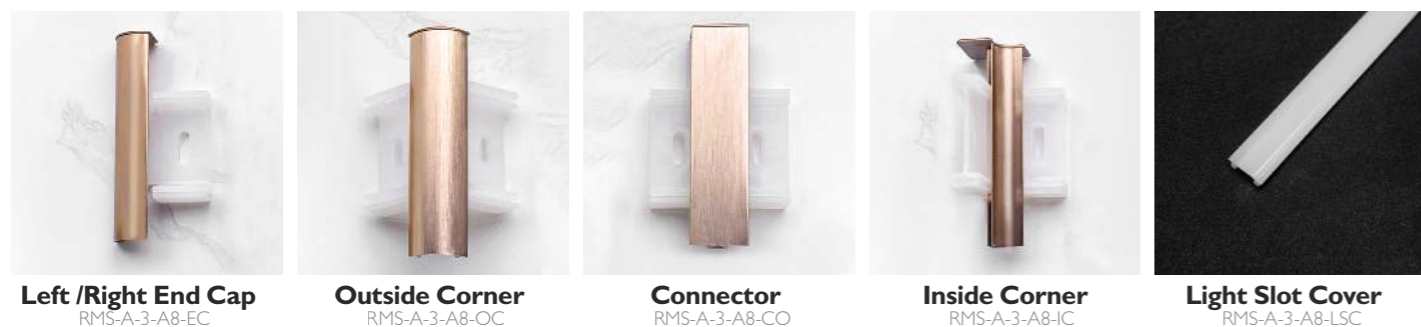
LED skirting board—RMS-A-3



FRONT INSTALLATION ILLUSTRATION

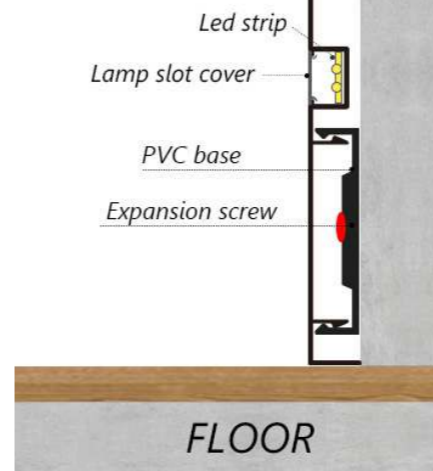


ACCESSORIES



Product parameters

Installation Diagram



RMS-A-3-A8	RMS-A-3-A10 <i>(Custom)</i>	RMS-A-3-A12 <i>(Custom)</i>
Material: Aluminum		Length(mm): 2500

COLOR



LED skirting board—RMS-A-7



FRONT INSTALLATION ILLUSTRATION

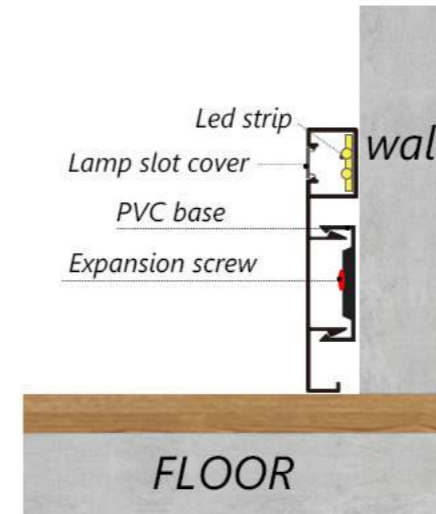


ACCESSORIES



Product parameters

Installation Diagram

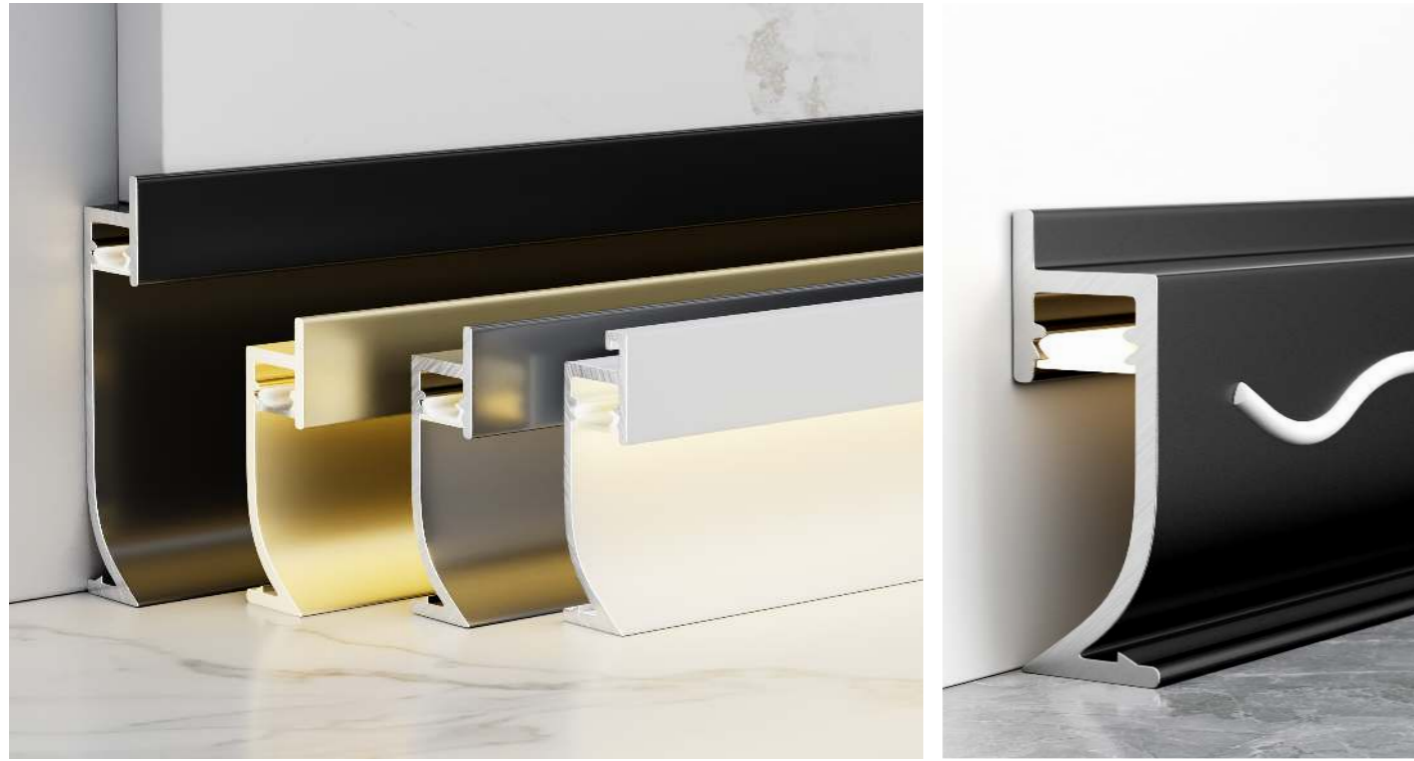


RMS-A-7-A5	
Material: Aluminum	Length(mm): 2500

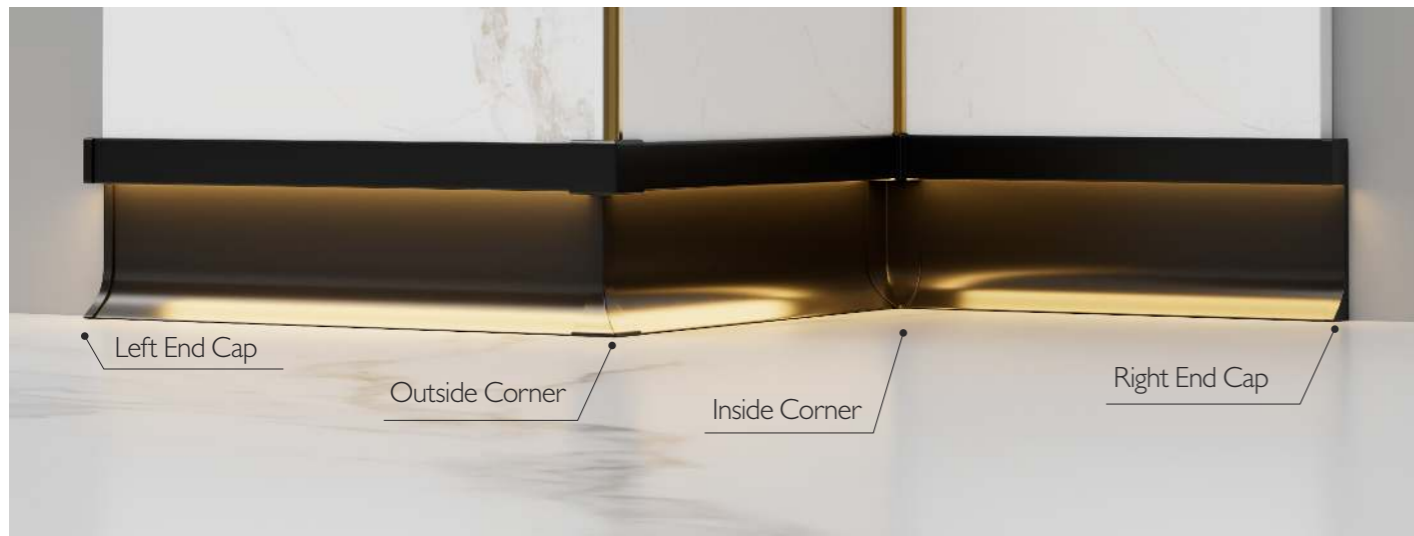
COLOR



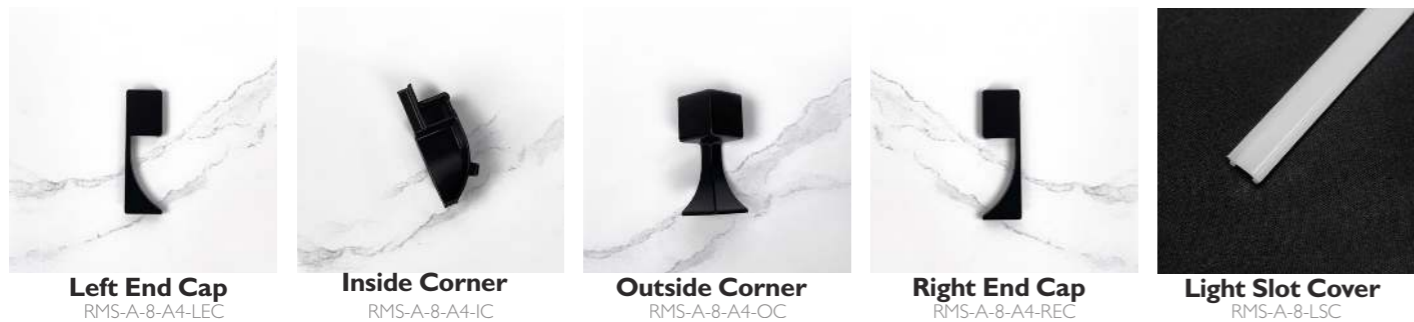
LED skirting board—RMS-A-8



FRONT INSTALLATION ILLUSTRATION

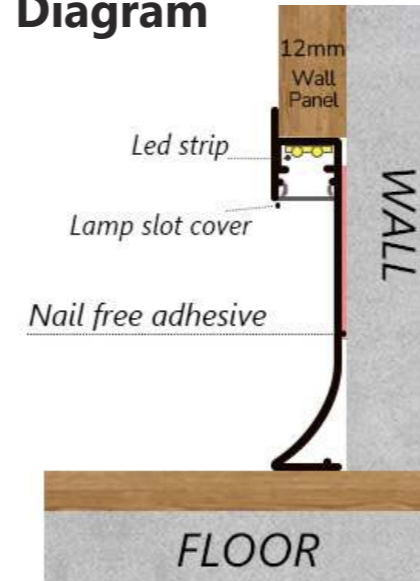


ACCESSORIES



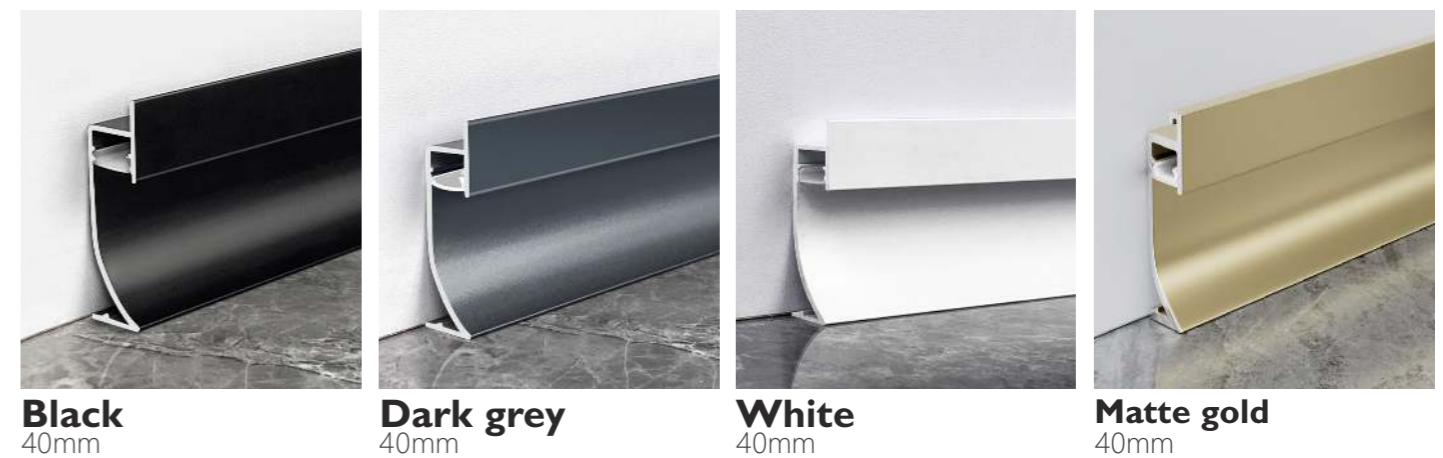
Product parameters

Installation Diagram



RMS-A-8-A4-12	RMS-A-8-A6.5-12	RMS-A-8-A4-9	RMS-A-8-A6.5-9
Material: Aluminum		Length(mm): 2500	

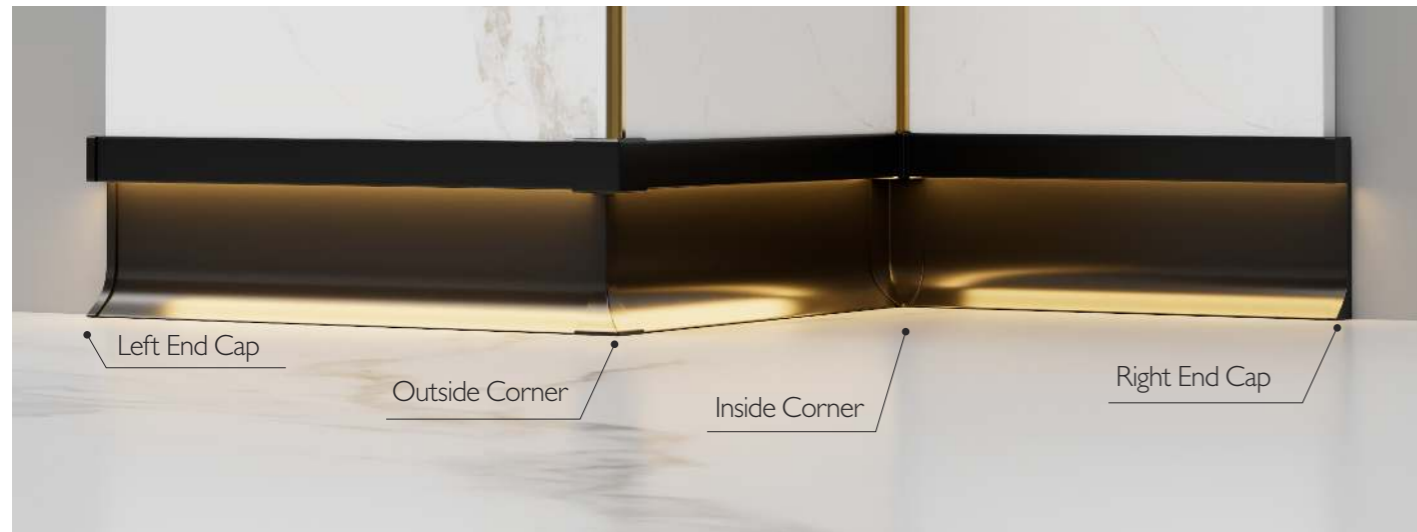
COLOR



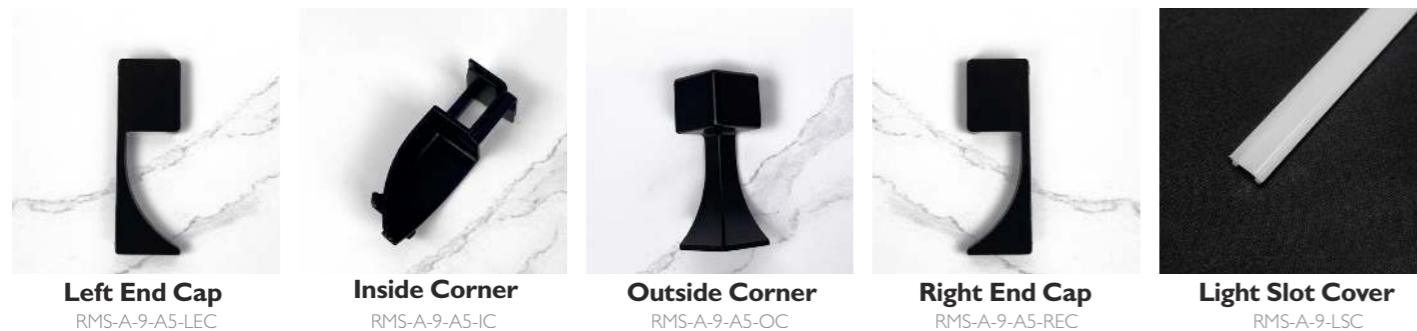
LED skirting board—RMS-A-9



FRONT INSTALLATION ILLUSTRATION

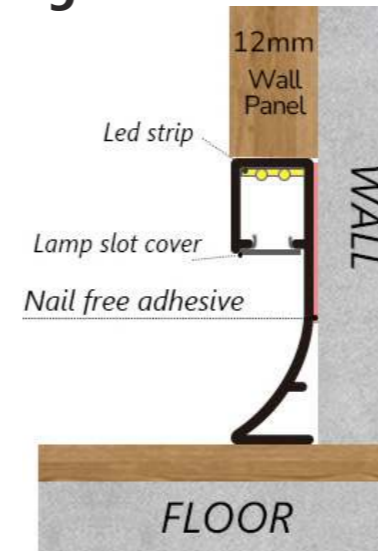


ACCESSORIES



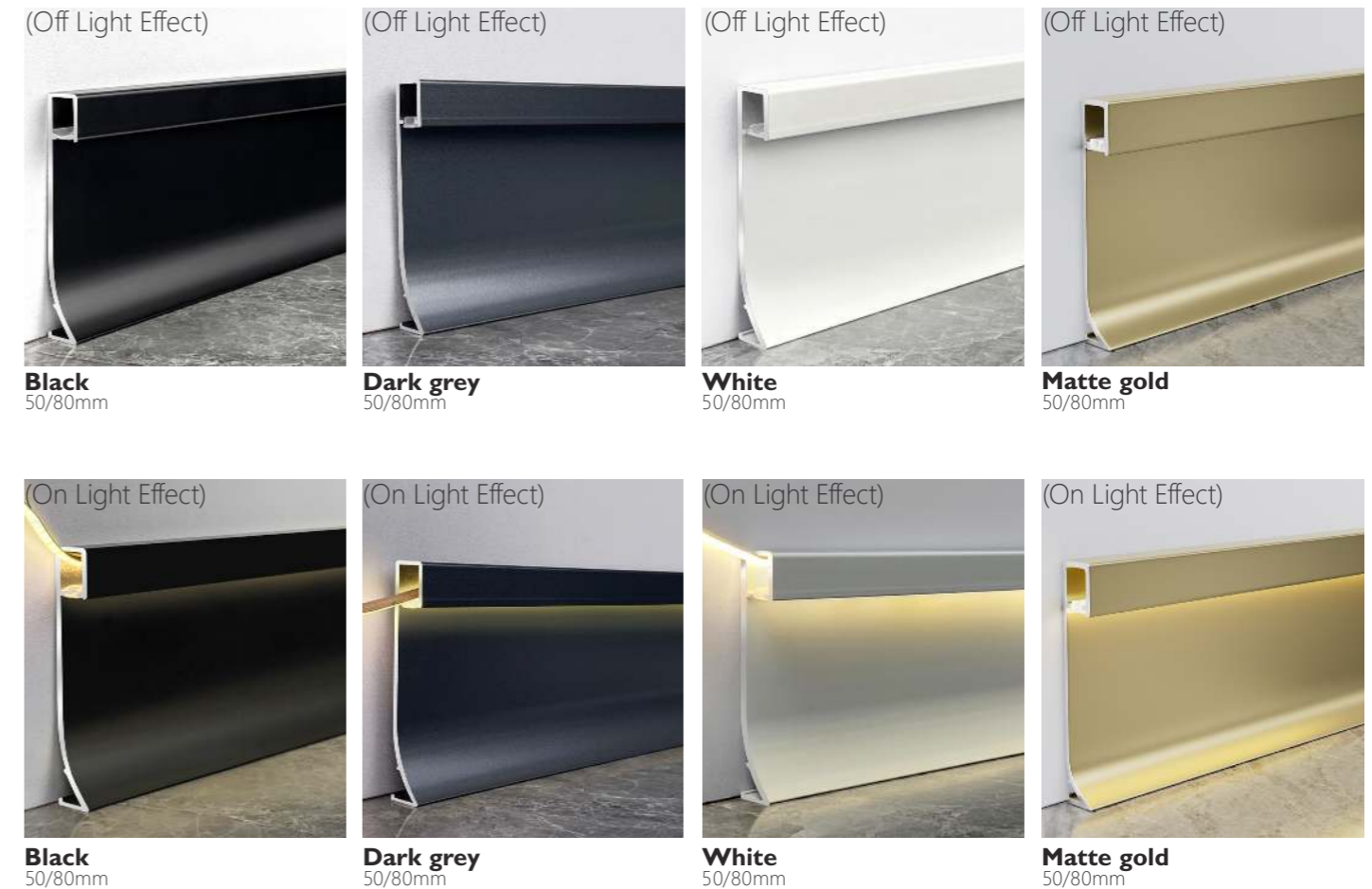
Product parameters

Installation Diagram



RMS-A-9-A5	RMS-A-9-A8
Material: Aluminum	Length(mm): 2500

COLOR



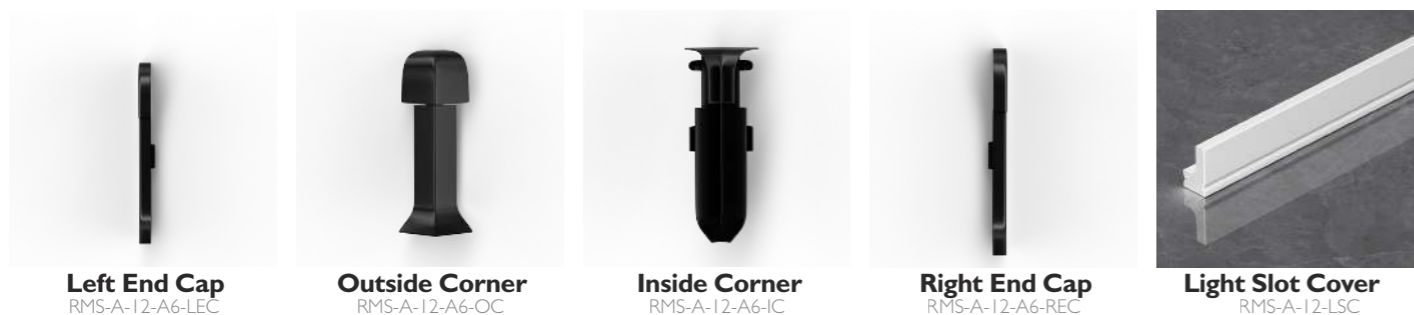
LED skirting board—RMS-A-12



FRONT INSTALLATION ILLUSTRATION



ACCESSORIES



Product parameters

Installation Diagram



RMS-A-12-A6	RMS-A-12-A6
Material: Aluminum	Length(mm): 2500

COLOR



Black
60/80mm



Dark grey
60/80mm



Black
60/80mm



Dark grey
60/80mm

LED skirting board—RMS-A-32



FRONT INSTALLATION ILLUSTRATION

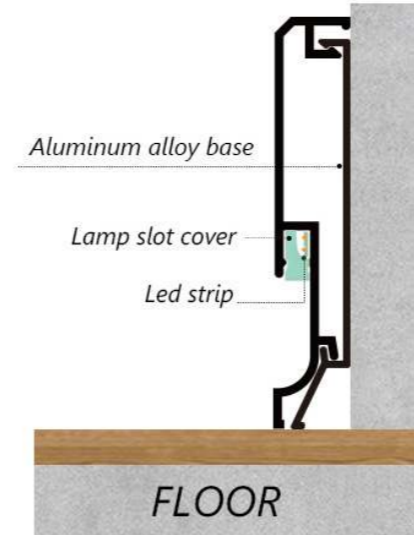


ACCESSORIES



Product parameters

Installation Diagram



RMS-A-32-A6	RMS-A-32-A6
Material: Aluminum	Length(mm): 2500

COLOR



Black
60/80mm



Dark grey
60/80mm



Black
60/80mm



Dark grey
60/80mm

LED skirting board—RMS-A-36



FRONT INSTALLATION ILLUSTRATION

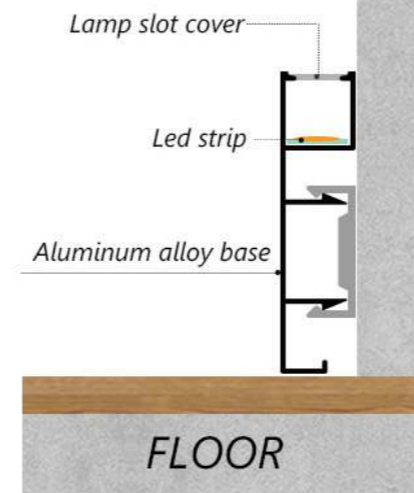


ACCESSORIES



Product parameters

Installation Diagram



RMS-A-36-A5	RMS-A-36-A5
Material: Aluminum	Length(mm): 2500

COLOR



Sand black
50mm



Sand black
80mm

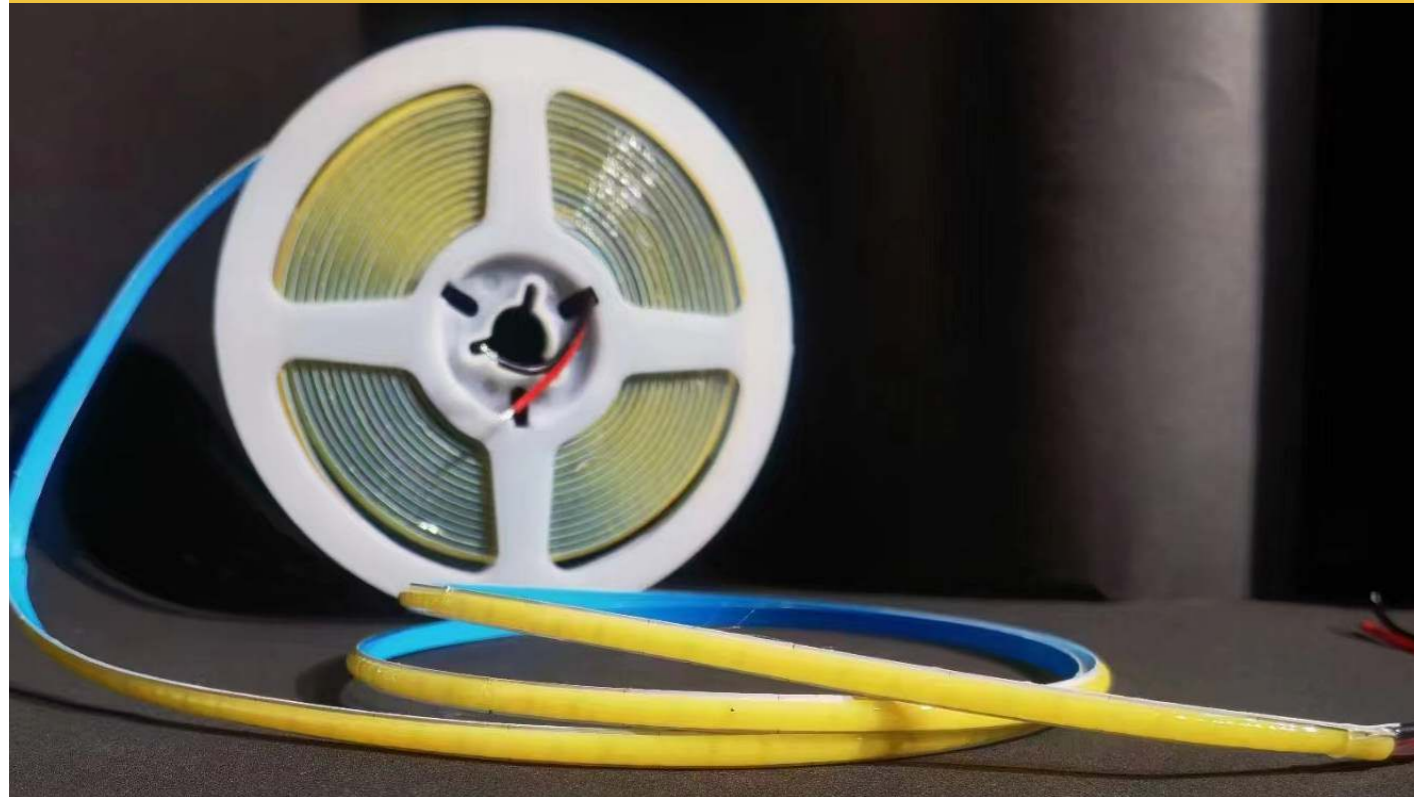


Sand black
50mm



Sand black
80mm

Light Strip Parameters



Voltage: 12V/24V

Length: 10m/ Reel

Power: 1M ≤ 12W

Color rendering index: Ra ≥ 80

IPS: IP20

Lamp: 320D/M

Color Temperature: 6000K/4000K/3000K



6000K



4000K



3000K

Voltage: 12V/24V

Length: 5m/ Reel

Power: 1M ≤ 7W

Color rendering index: Ra ≥ 80

IPS: IP20

Lamp: 480D/M

Color Temperature: 6000K/4000K/3000K

Transformer / Joint

Output voltage : 12V / 24V

Output current : 8.3A

Rated power: 200W

Size: 177x49x22mm



Output voltage : 12V / 24V

Output current : 12A

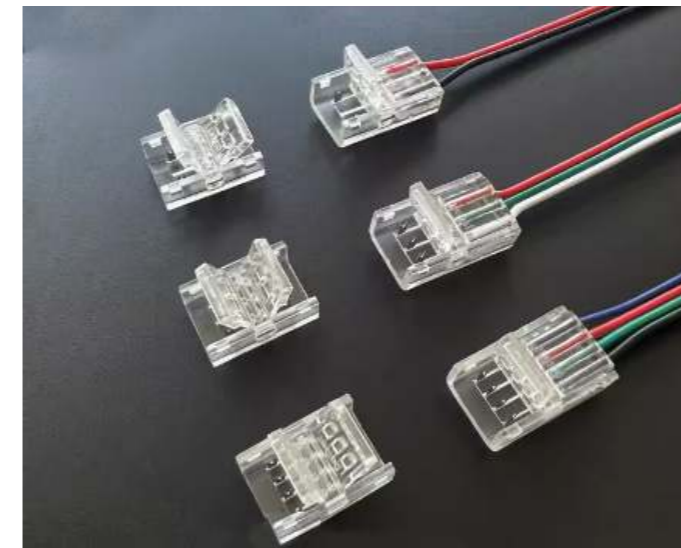
Rated power: 300W

Size: 204x50x22mm



Solderless crystal head

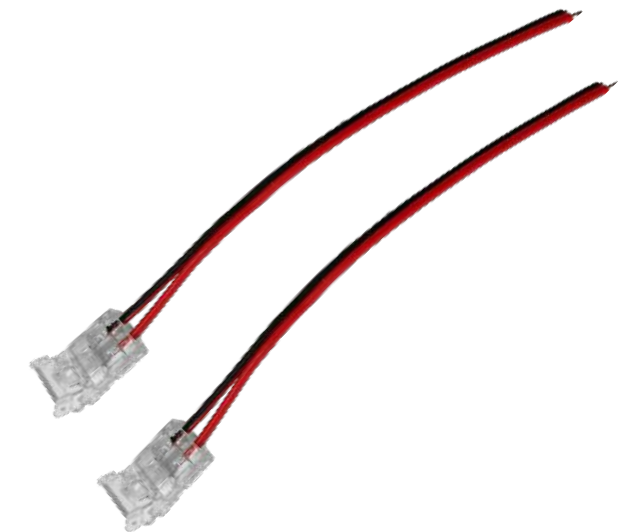
Crystal Head



Model : 2 / 3 / 4pin

Intermediate crystal head

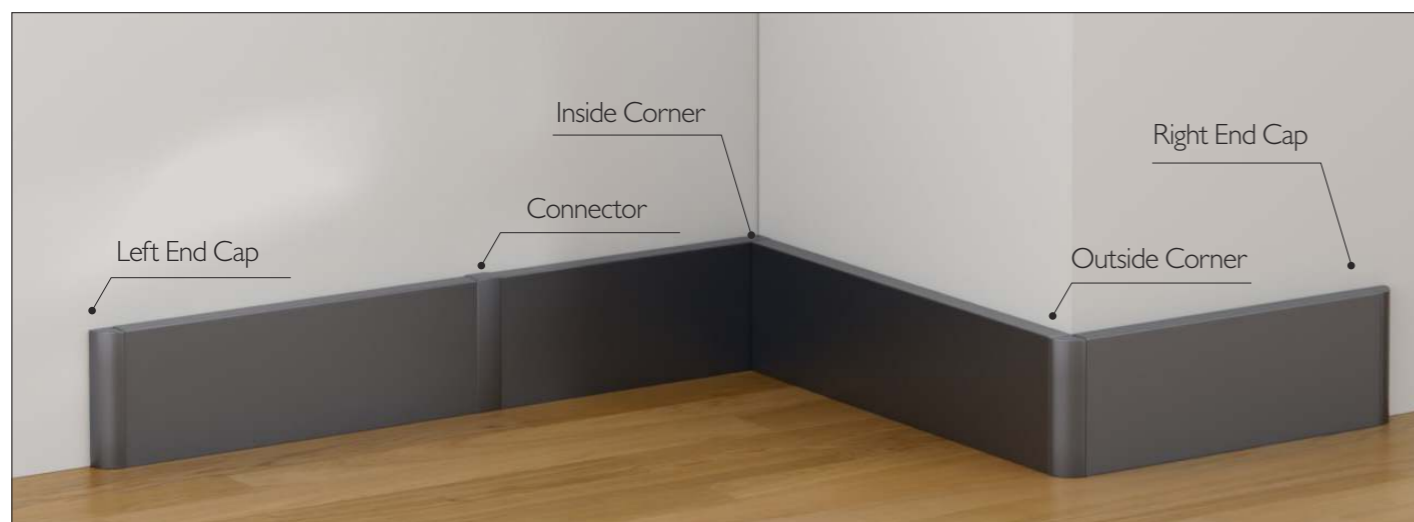
Crystal Head



SKITING PROFILE—RMS-A-1



FRONT INSTALLATION ILLUSTRATION

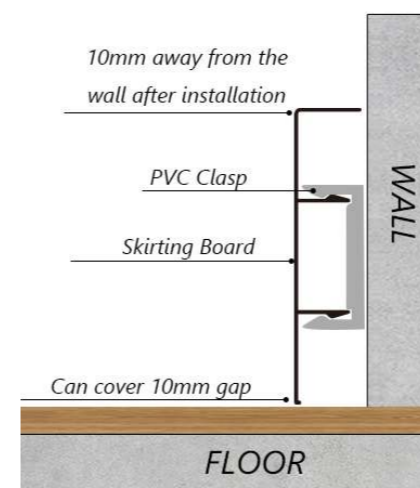


ACCESSORIES



Product parameters

Installation Diagram



RMS-A-1-A4	RMS-A-4-A5	RMS-A-4-A6	RMS-A-4-A8	RMS-A-4-A10
Material: Aluminum			Length(mm): 2500	

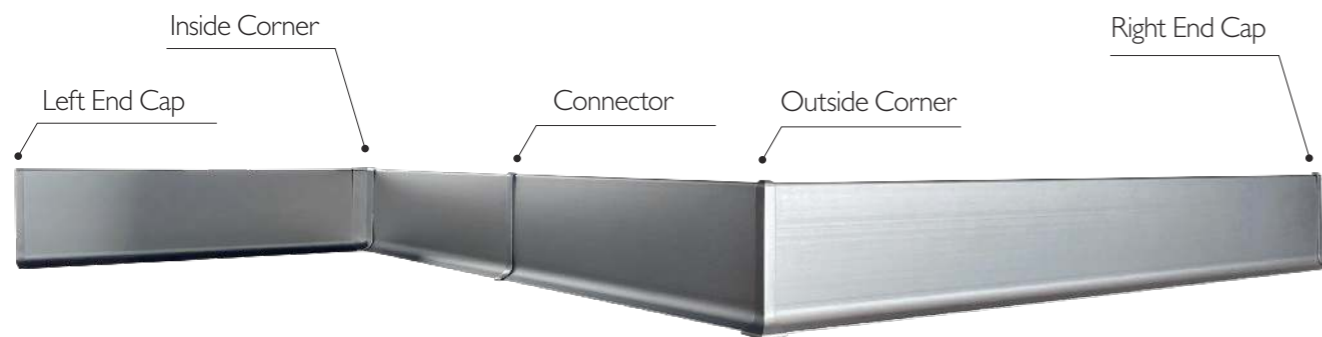
COLOR



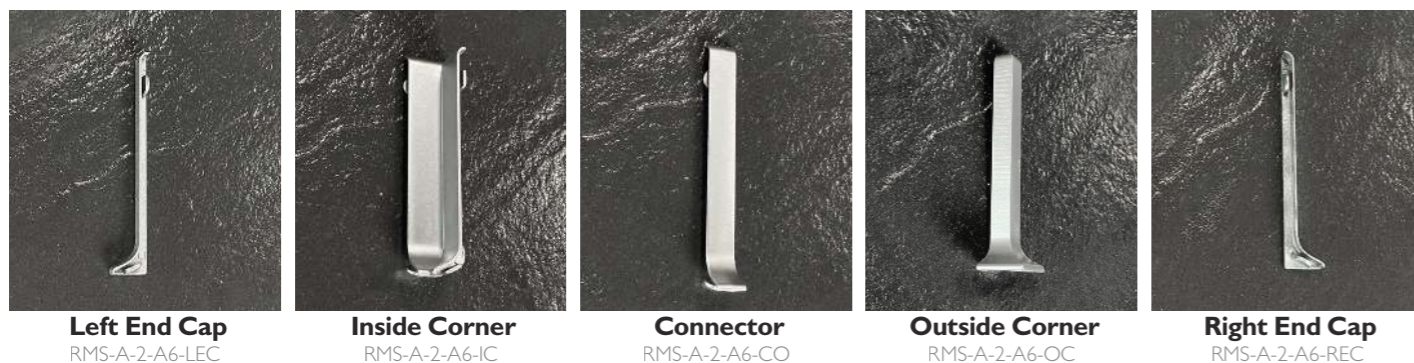
SKITING PROFILE—RMS-A-2



FRONT INSTALLATION ILLUSTRATION



ACCESSORIES



Product parameters

Installation Diagram

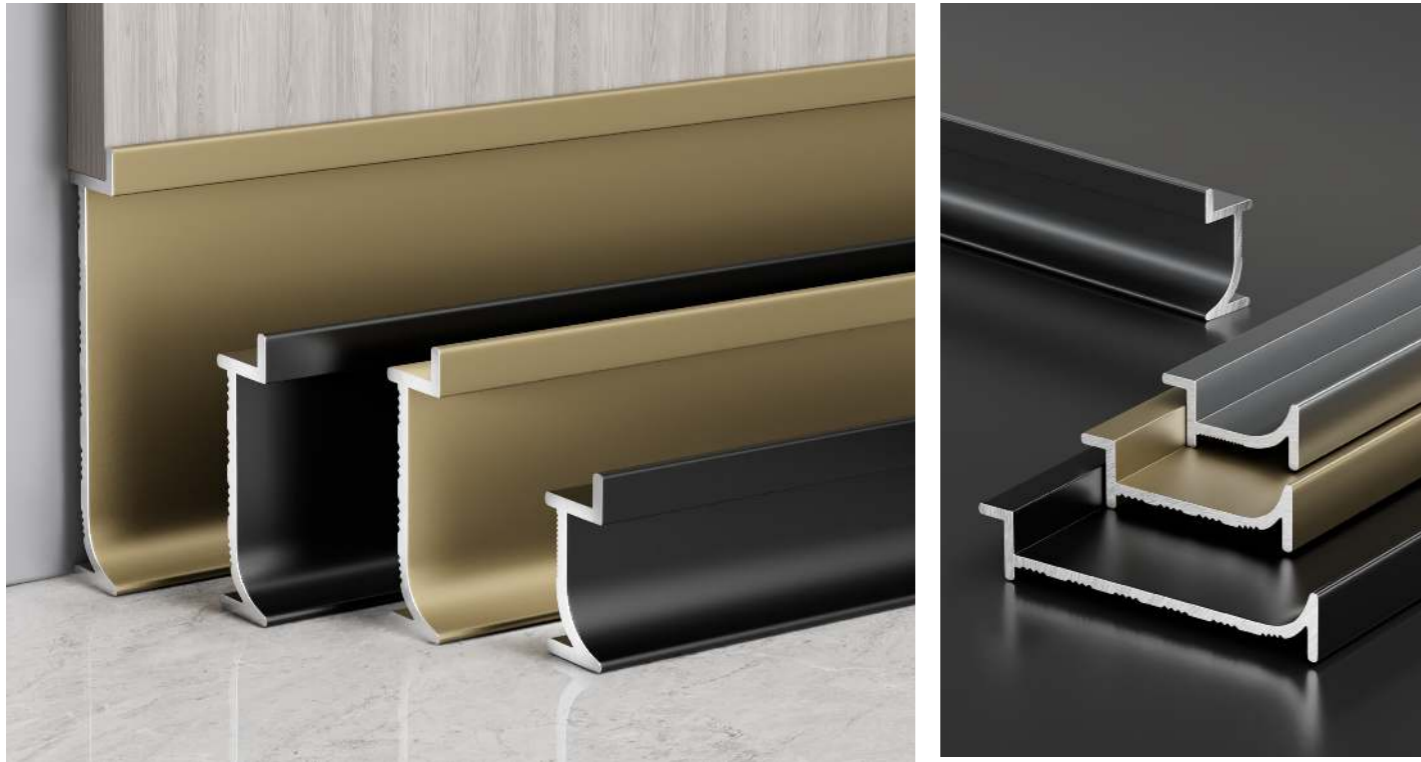


RMS-A-2-A4	RMS-A-2-A6	RMS-A-2-A8	RMS-A-2-A10
Material: Aluminum		Length(mm): 2500	

COLOR



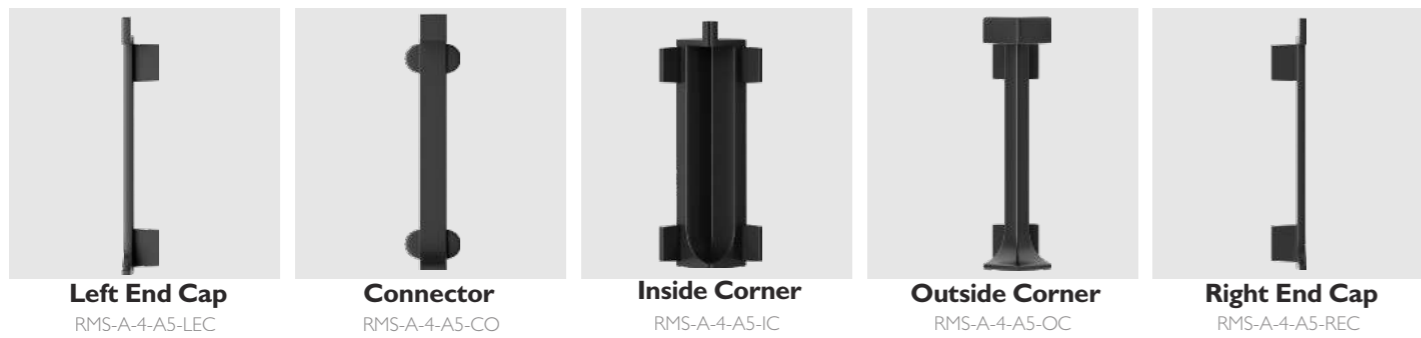
SKITING PROFILE—RMS-A-4



FRONT INSTALLATION ILLUSTRATION



ACCESSORIES (3/5cm)
 Note: This model 2/2.5cm has no accessories



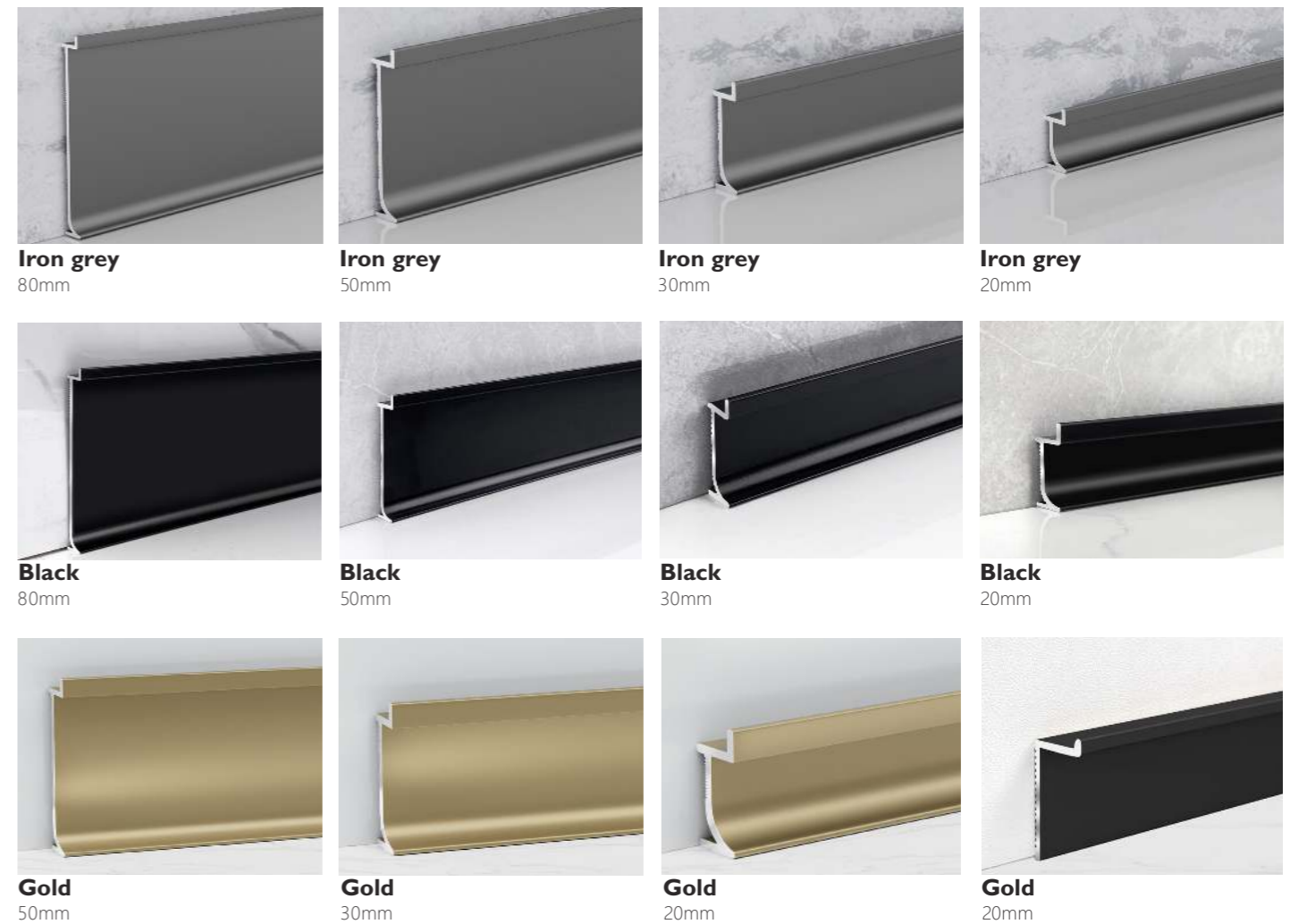
Product parameters

Installation Diagram



RMS-A-4-A2A	RMS-A-4-A2B	RMS-A-4-A3	RMS-A-4-A5	RMS-A-4-A8
Material: Aluminum			Length(mm): 2500	

COLOR



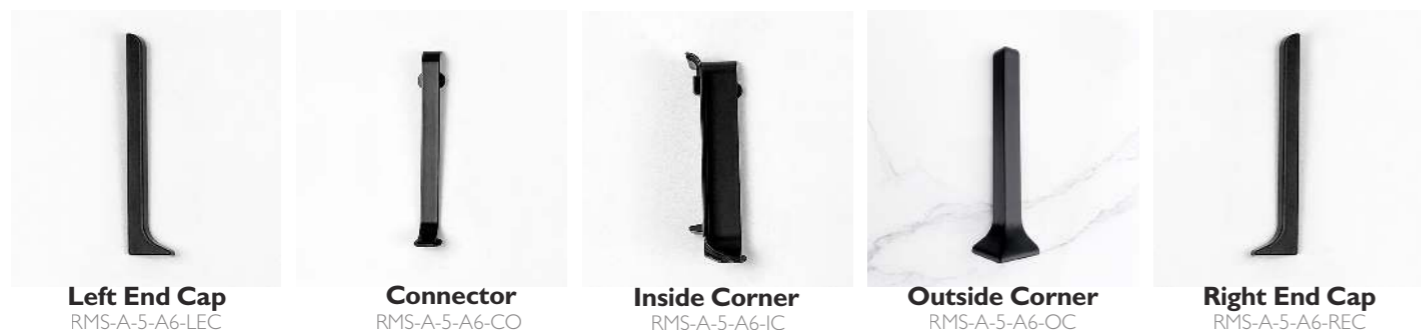
SKITING PROFILE—RMS-A-5



FRONT INSTALLATION ILLUSTRATION



ACCESSORIES



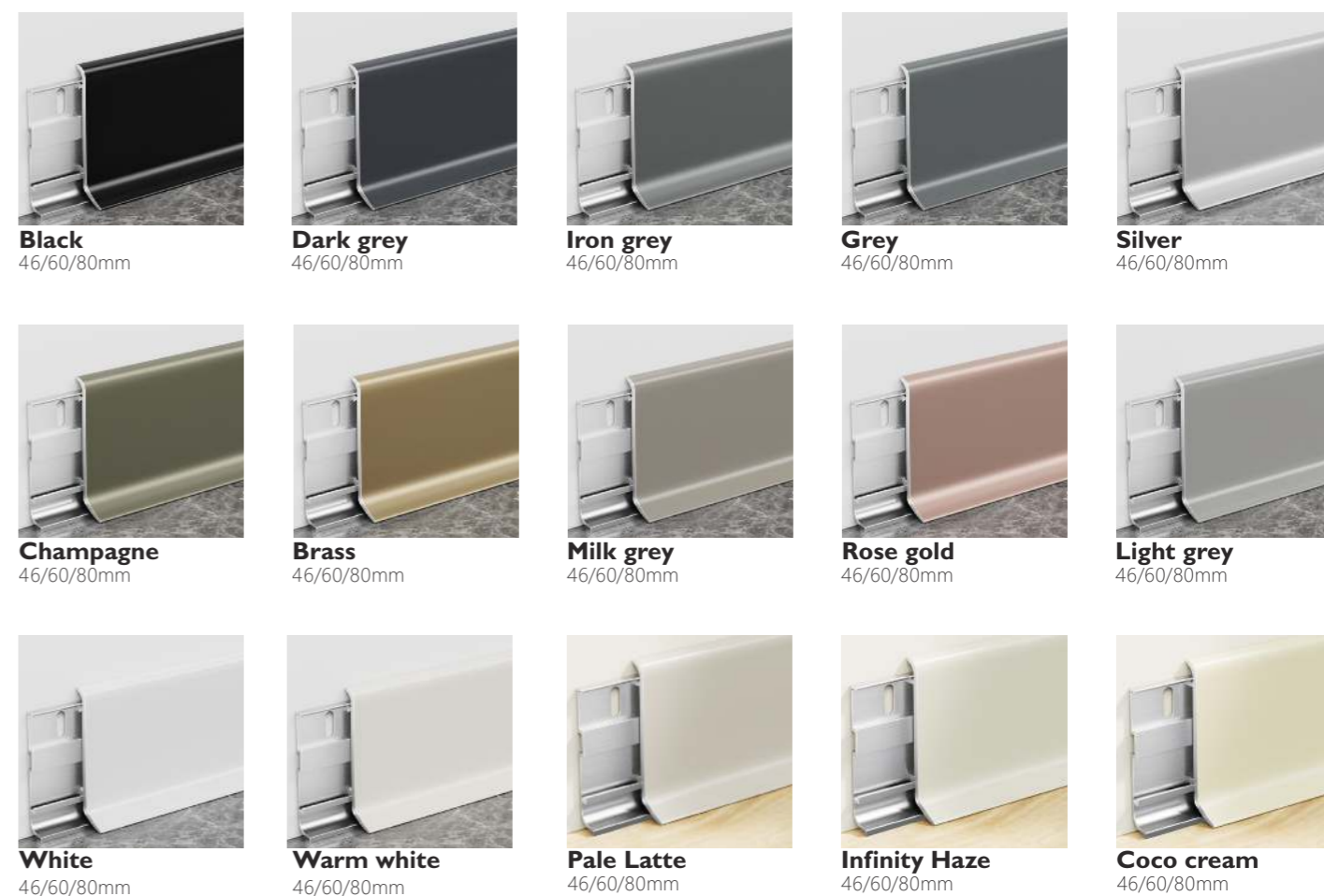
Product parameters

Installation Diagram



RMS-A-5-A4.6	RMS-A-5-A6	RMS-A-5-A8
Material: Aluminum		Length(mm): 2500

COLOR



SKITING PROFILE—RMS-A-5N



FRONT INSTALLATION ILLUSTRATION



ACCESSORIES



Product parameters

Installation Diagram



RMS-A-5N-A6	
Material: Aluminum	Length(mm): 2500

COLOR



Ash
60mm



Grey Oak
60mm



Silver Pear
60mm



Yellow oak
60mm



American Oak
60mm



Rose Wood
60mm



Walnut
60mm



Red rose wood
60mm

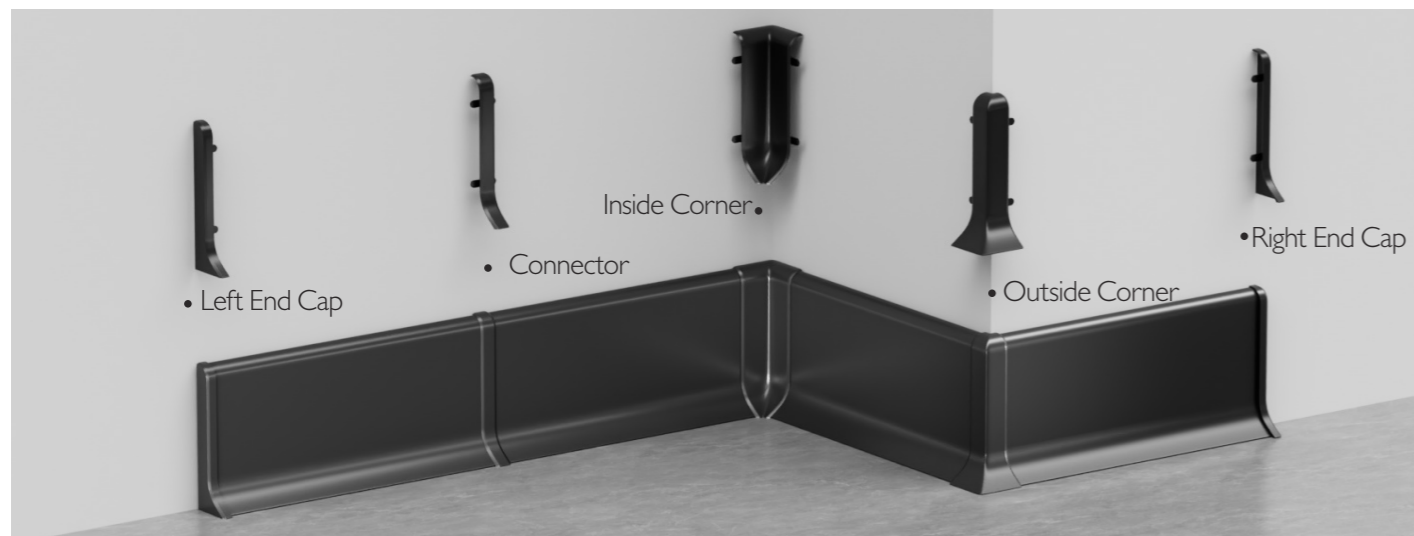


Teak
60mm

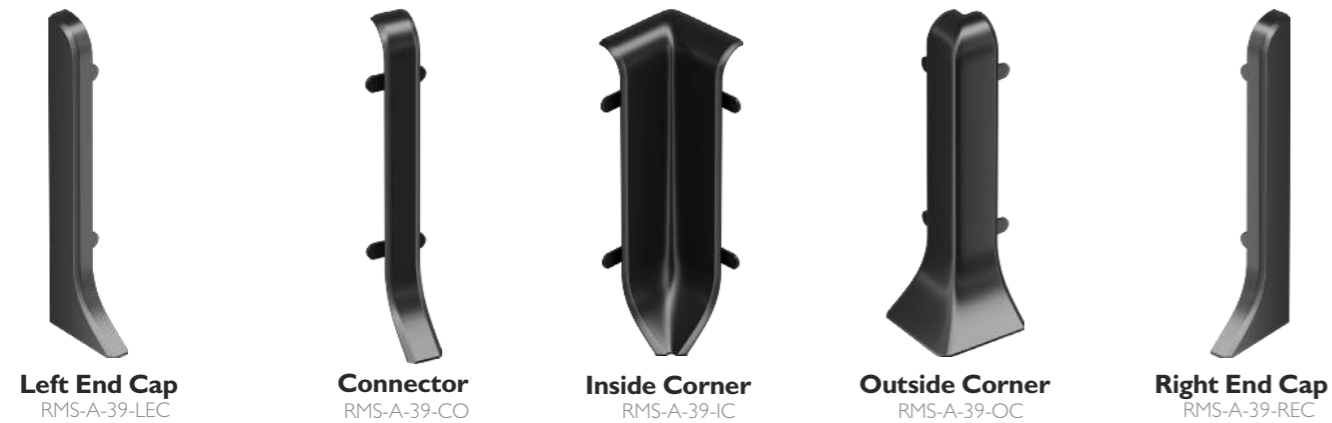
SKITING PROFILE—RMS-A-39



FRONT INSTALLATION ILLUSTRATION



ACCESSORIES



Left End Cap
RMS-A-39-LEC

Connector
RMS-A-39-CO

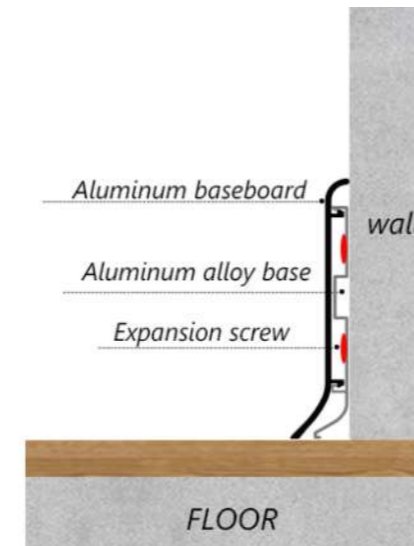
Inside Corner
RMS-A-39-IC

Outside Corner
RMS-A-39-OC

Right End Cap
RMS-A-39-REC

Product parameters

Installation Diagram



RMS-A-39-A4	RMS-A-5-A6	RMS-A-5-A8
Material: Aluminum		Length(mm): 2500

COLOR



Pale latte
40/60/80mm



White
40/60/80mm



Warm white
40/60/80mm



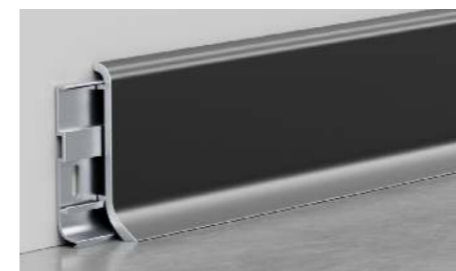
Grey
40/60/80mm



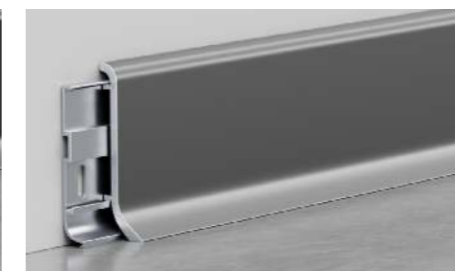
Milk grey
40/60/80mm



Meridian grey
40/60/80mm



Black
40/60/80mm



Gunmetal grey
40/60/80mm



Dark grey
40/60/80mm

SKITING PROFILE—RMS-A-13



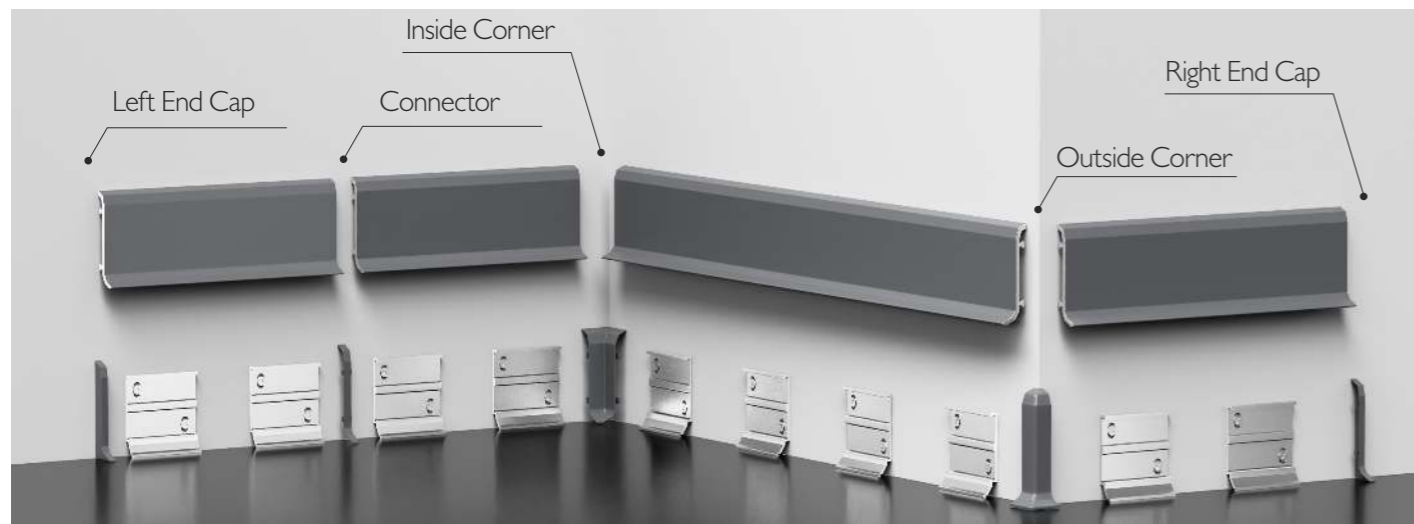
Product parameters

Installation Diagram

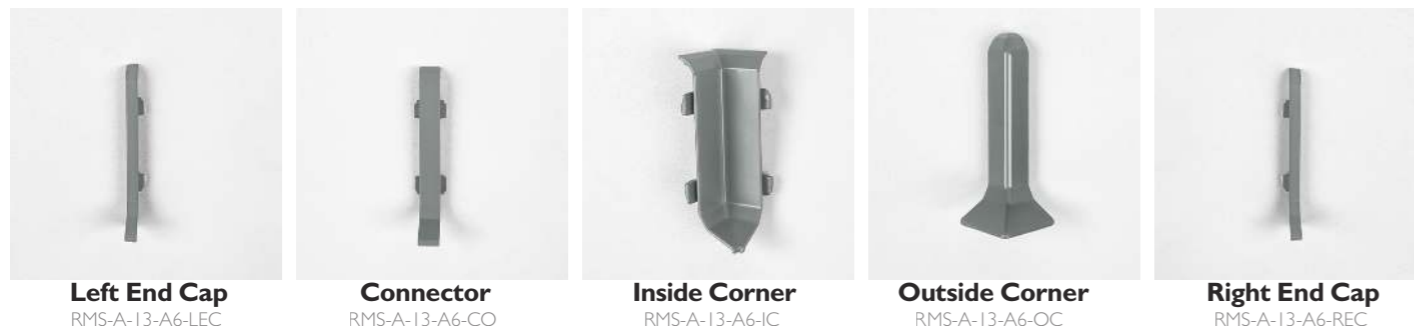


RMS-A-13-A2.6	RMS-A-13-A4	RMS-A-13-A6	RMS-A-13-A8
Material: Aluminum		Length(mm): 2500	

FRONT INSTALLATION ILLUSTRATION



ACCESSORIES



Left End Cap
RMS-A-13-A6-LEC

Connector
RMS-A-13-A6-CO

Inside Corner
RMS-A-13-A6-IC

Outside Corner
RMS-A-13-A6-OC

Right End Cap
RMS-A-13-A6-REC

COLOR



Warm white
26/40/60/80mm



Apricot
26/40/60/80mm



Coco cream
40/60/80mm



Pale Latte
40/60/80mm



Black
26/40/60/80mm



Dark grey
26/40/60/80mm



Grey
40/60/80mm



Meridian gray
26/40/60/80mm



Gold
40/60/80mm



Milk grey
40/60/80mm



Champagne
40/60/80mm

SKITING PROFILE—RMS-A-16



FRONT INSTALLATION ILLUSTRATION



ACCESSORIES



Left End Cap
RMS-A-16-A7-LEC

Outside Corner
RMS-A-16-A7-OC

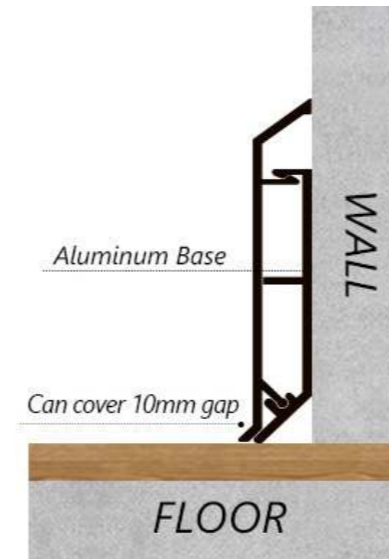
Connector
RMS-A-16-A7-CO

Inside Corner
RMS-A-16-A7-IC

Right End Cap
RMS-A-16-A7-REC

Product parameters

Installation Diagram



RMS-A-16-A3	RMS-A-16-A5	RMS-A-16-A7
Material: Aluminum		Length(mm): 2500

COLOR



Black
30/50/70mm

Grey
30/50/70mm

Vanilla White
30/50/70mm

Apricot
30/50/70mm



Dark grey
30/50/70mm

Meridian grey
30/50/70mm

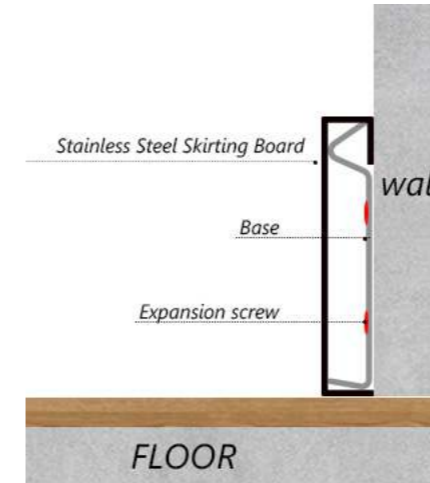
Pale latte
30/50/70mm

SKITING PROFILE—RMS-A-18



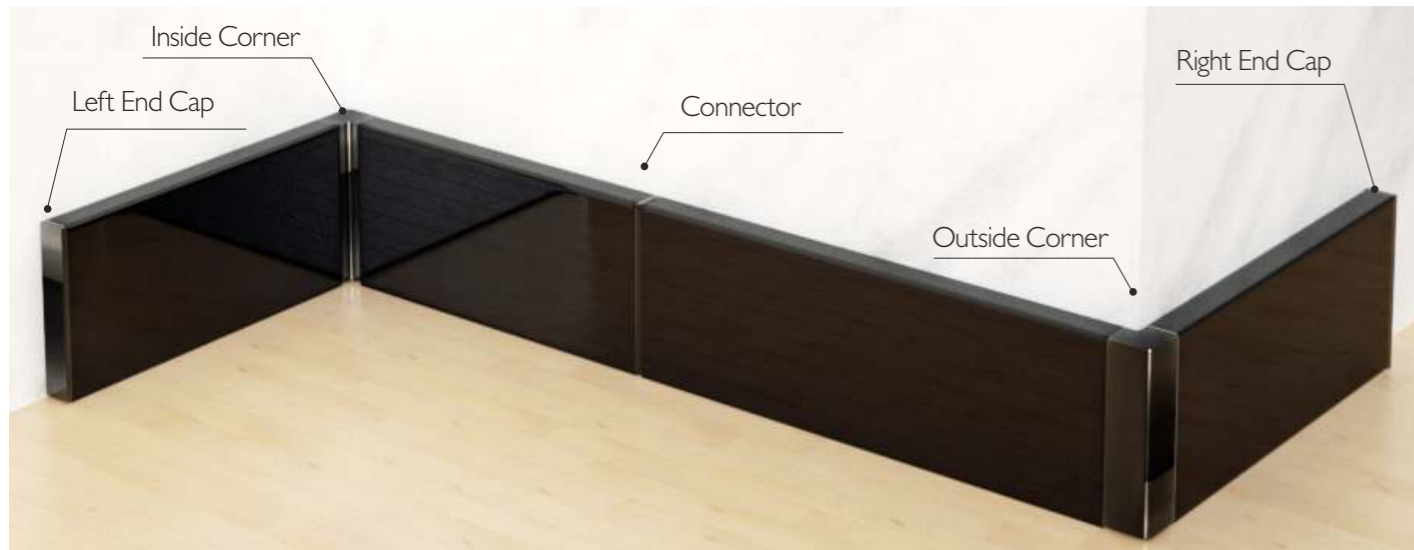
Product parameters

Installation Diagram



RMS-A-18-A4	RMS-A-18-A6	RMS-A-18-A8
Material: Aluminum		Length(mm): 2500

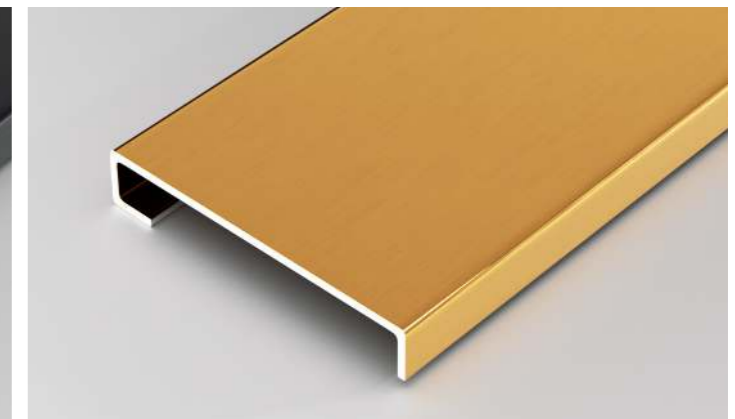
FRONT INSTALLATION ILLUSTRATION



COLOR



Black brushed
40/60/80/100mm



Rose gold brushed
40/60/80/100mm

ACCESSORIES



Inside Corner
RMS-A-18-A6-B-IC



Outside Corner
RMS-A-18-A6-B-OC



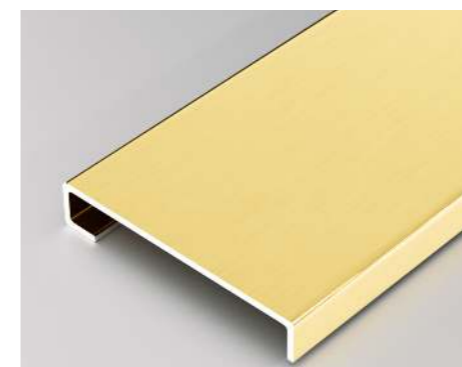
Connector
RMS-A-18-A6-B-CO



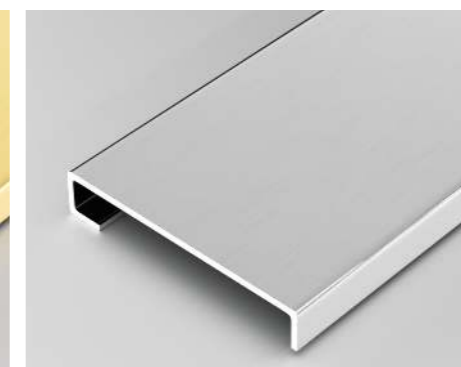
Left End Cap
RMS-A-18-A6-B-LEC



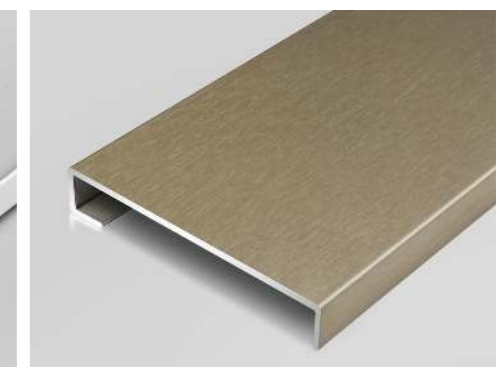
Right End Cap
RMS-A-18-A6-B-REC



Gold brushed
40/60/80/100mm



Silver brushed
40/60/80/100mm



Bronze brushed
40/60/80/100mm

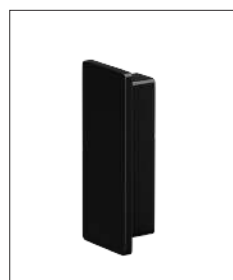
SKITING PROFILE—RMS-A-19



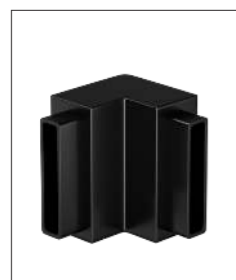
FRONT INSTALLATION ILLUSTRATION



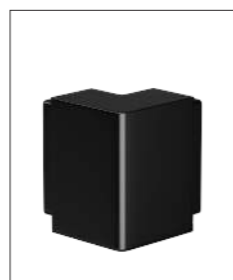
ACCESSORIES



Left End Cap
RMS-A-19-A2-LEC



Inside Corner
RMS-A-19-A2-IC



Outside Corner
RMS-A-19-A2-OC



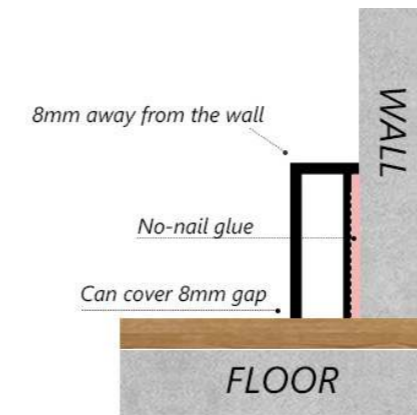
Connector
RMS-A-19-A2-CO



Right End Cap
RMS-A-19-A2-REC

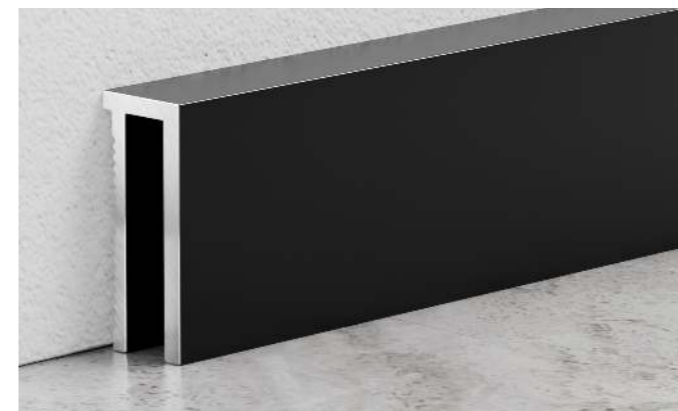
Product parameters

Installation Diagram

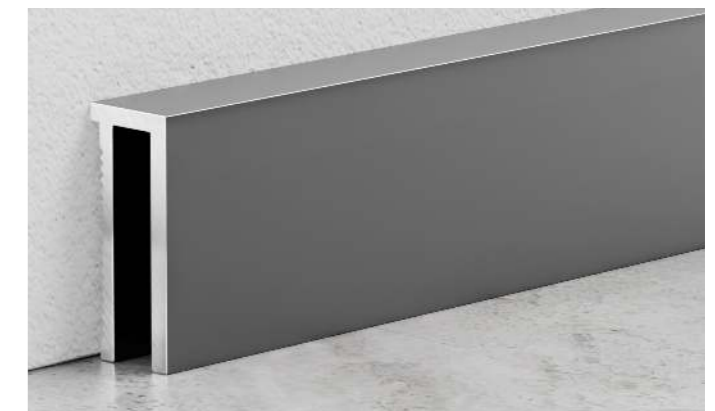


RMS-A-19-A6	
Material: Aluminum	Length(mm): 2500

COLOR



Black
20mm



Iron grey
20mm



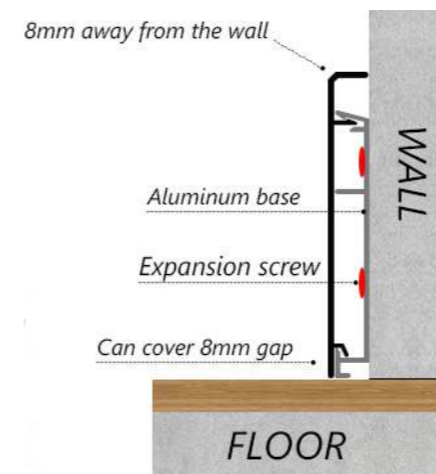
Ru Celadon
20mm

SKITING PROFILE—RMS-A-20



Product parameters

Installation Diagram



RMS-A-20-A3	RMS-A-20-A4	RMS-A-20-A5	RMS-A-13-A6
Material: Aluminum		Length(mm): 2500	

SEAMLESS ACCESSORIES (3/4/5/6cm)



PARCEL ACCESSORIES (3/4/5/6cm)



COLOR



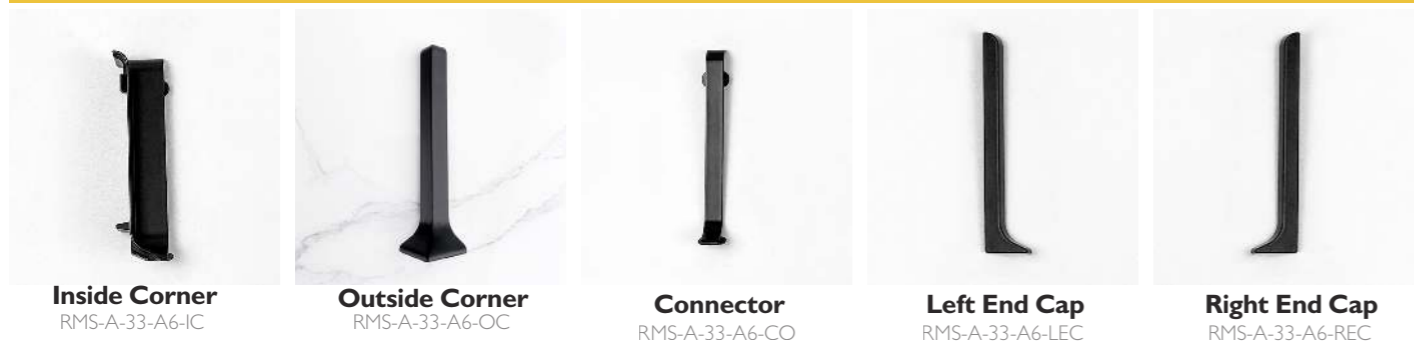
SKITING PROFILE—RMS-A-33



FRONT INSTALLATION ILLUSTRATION

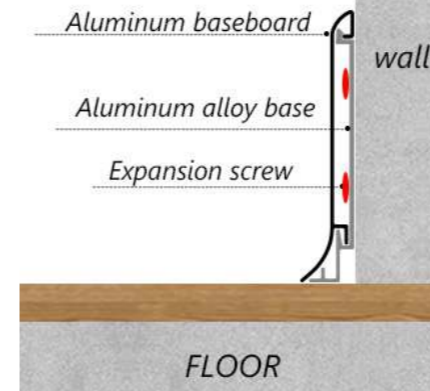


ACCESSORIES



Product parameters

Installation Diagram



RMS-A-33-A4	RMS-A-33-A6	RMS-A-33-A8
Material: Aluminum		Length(mm): 2500

COLOR



Warm white
40/60/80mm



Vast sky
40/60/80mm



Pale Latte
40/60/80mm



Meridian gray
40/60/80mm



Milk grey
40/60/80mm



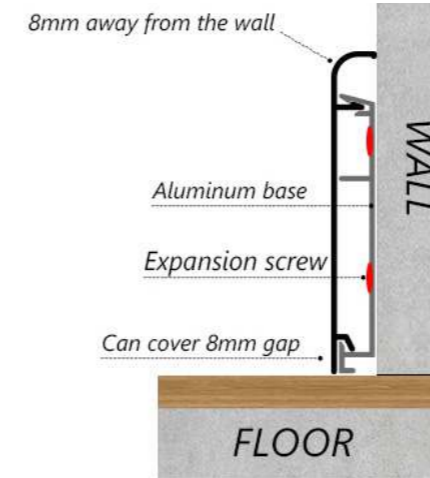
Black
40/60/80mm

SKITING PROFILE—RMS-A-34



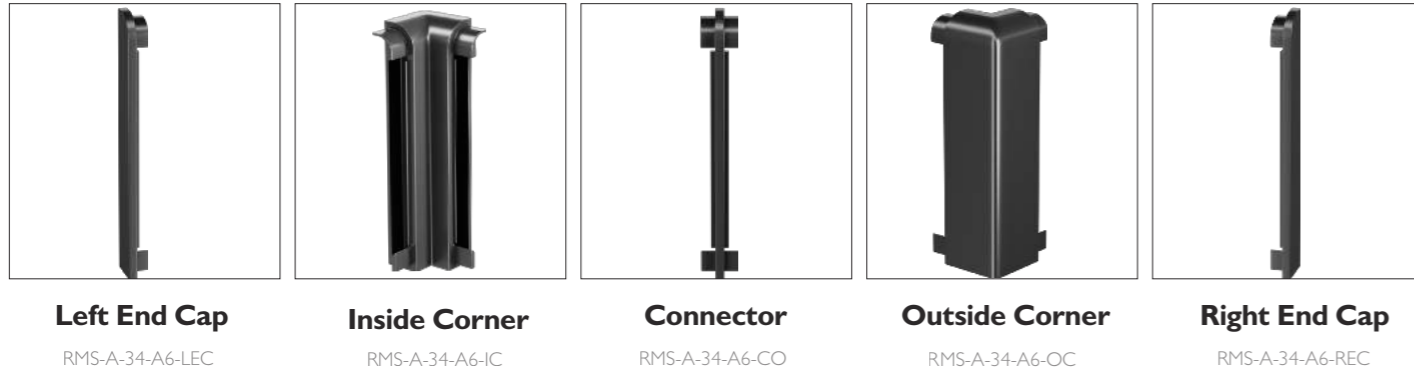
Product parameters

Installation Diagram



RMS-A-34-A4	RMS-A-34-A6	RMS-A-34-A8
Material: Aluminum		Length(mm): 2500

SEAMLESS ACCESSORIES



Left End Cap

RMS-A-34-A6-LEC

Inside Corner

RMS-A-34-A6-IC

Connector

RMS-A-34-A6-CO

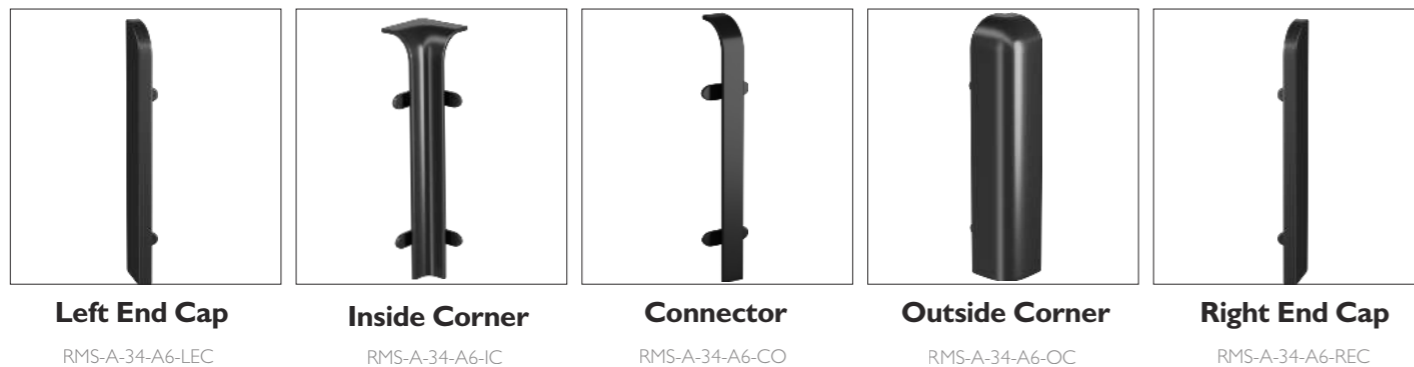
Outside Corner

RMS-A-34-A6-OC

Right End Cap

RMS-A-34-A6-REC

PARCEL ACCESSORIES



Left End Cap

RMS-A-34-A6-LEC

Inside Corner

RMS-A-34-A6-IC

Connector

RMS-A-34-A6-CO

Outside Corner

RMS-A-34-A6-OC

Right End Cap

RMS-A-34-A6-REC

COLOR



Black
40/60/80mm

Gummetal grey
40/60/80mm

Meridian Gray
40/60/80mm

White
40/60/80mm

Pale Latte
40/60/80mm

Coco Cream
40/60/80mm

White Oak
40/60/80mm

American oak
40/60/80mm

Yellow Oak
40/60/80mm

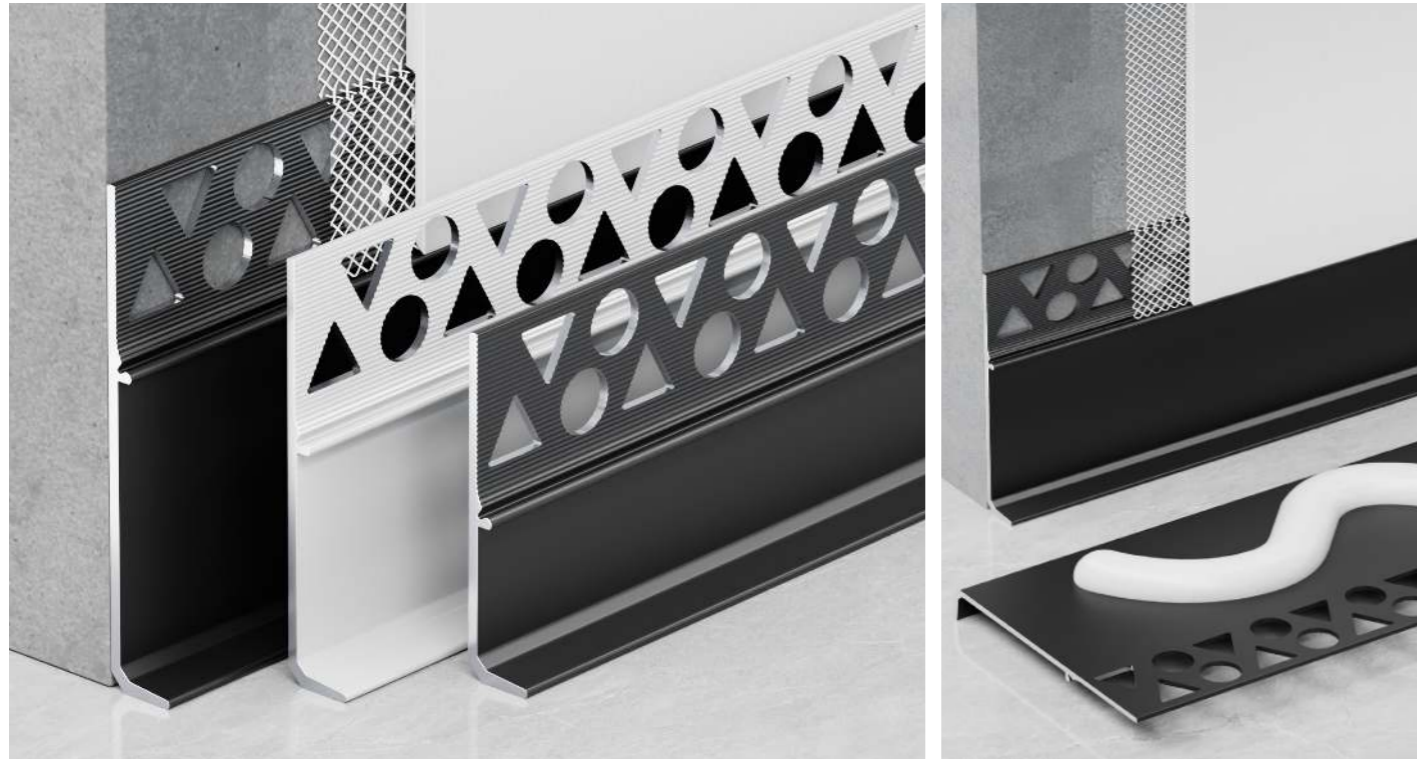
Manchurian Ash
40/60/80mm

Black walnut
40/60/80mm

Silver Pear
40/60/80mm

Teak wood
40/60/80mm

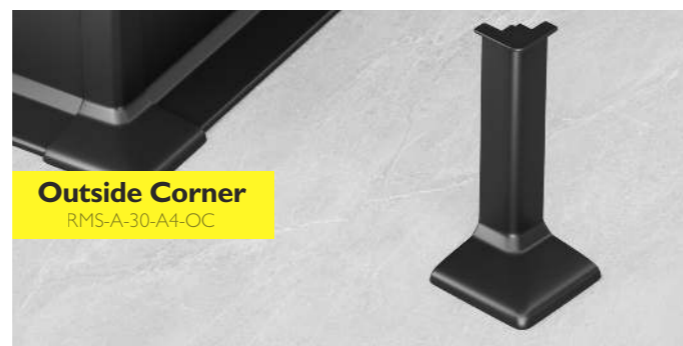
SKITING PROFILE—RMS-A-30



FRONT INSTALLATION ILLUSTRATION

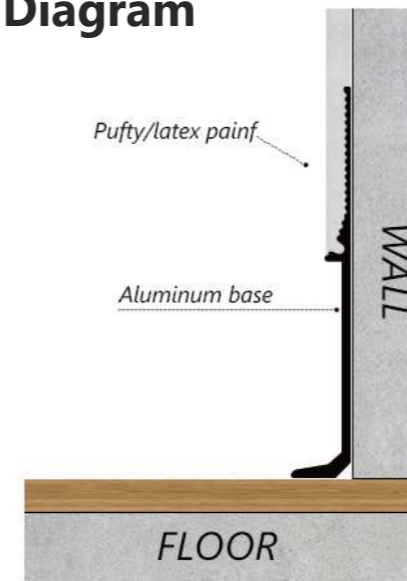


ACCESSORIES



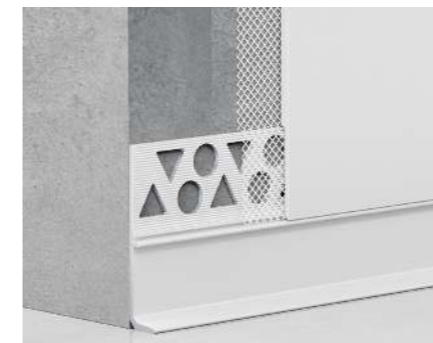
Product parameters

Installation Diagram



	RMS-A-30-A2	RMS-A-30-A3	RMS-A-30-A4
Material:	Aluminum		
Length(mm):	2500		

COLOR



White
20mm



White
30mm



White
40mm



Black
20mm



Black
30mm



Black
40mm

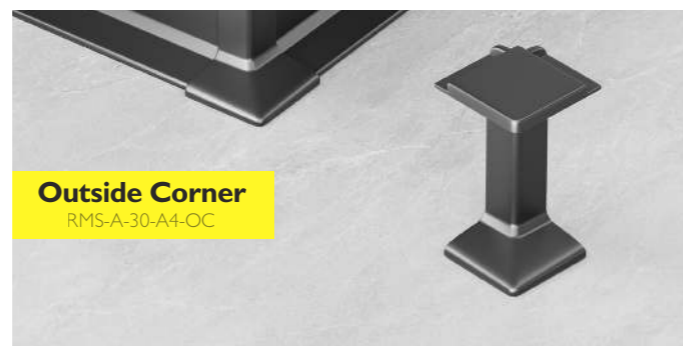
SKITING PROFILE—RMS-A-31



FRONT INSTALLATION ILLUSTRATION

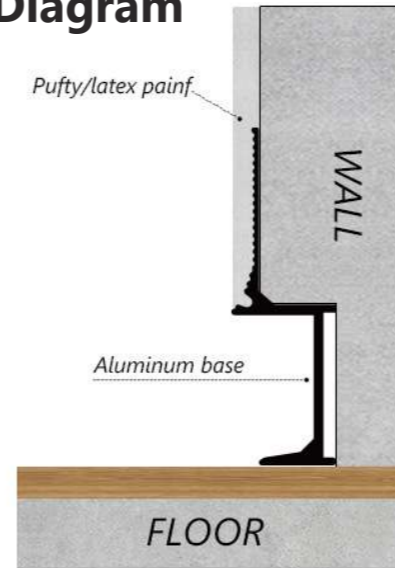


ACCESSORIES



Product parameters

Installation Diagram



RMS-A-31-A2	RMS-A-31-A3	RMS-A-31-A4
Material: Aluminum		Length(mm): 2500

COLOR



White
20mm



White
30mm



White
40mm



Black
20mm



Black
30mm



Black
40mm

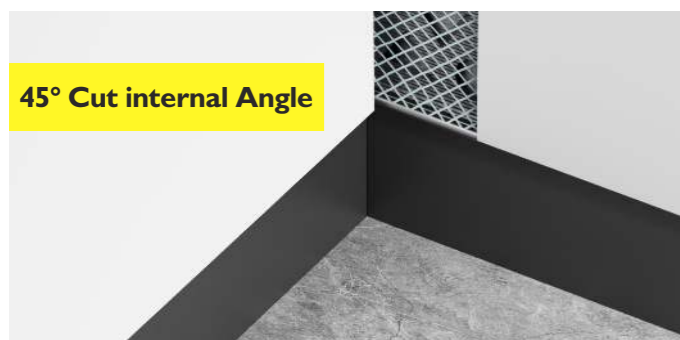
SKITING PROFILE—RMS-A-37



FRONT INSTALLATION ILLUSTRATION

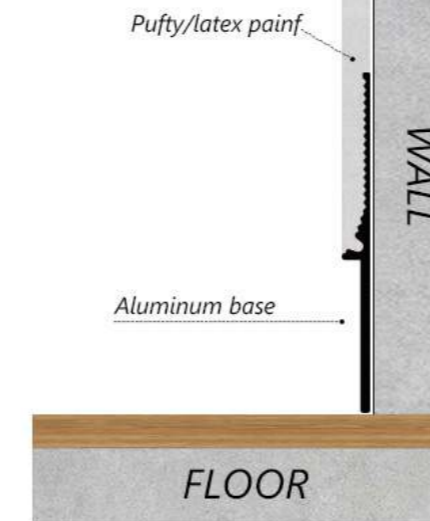


ACCESSORIES



Product parameters

Installation Diagram



	RMS-A-37-A2	RMS-A-37-A3	RMS-A-37-A4
Material:	Aluminum		
Length(mm):	2500		

COLOR



White
20mm



White
30mm



White
40mm



Black
20mm

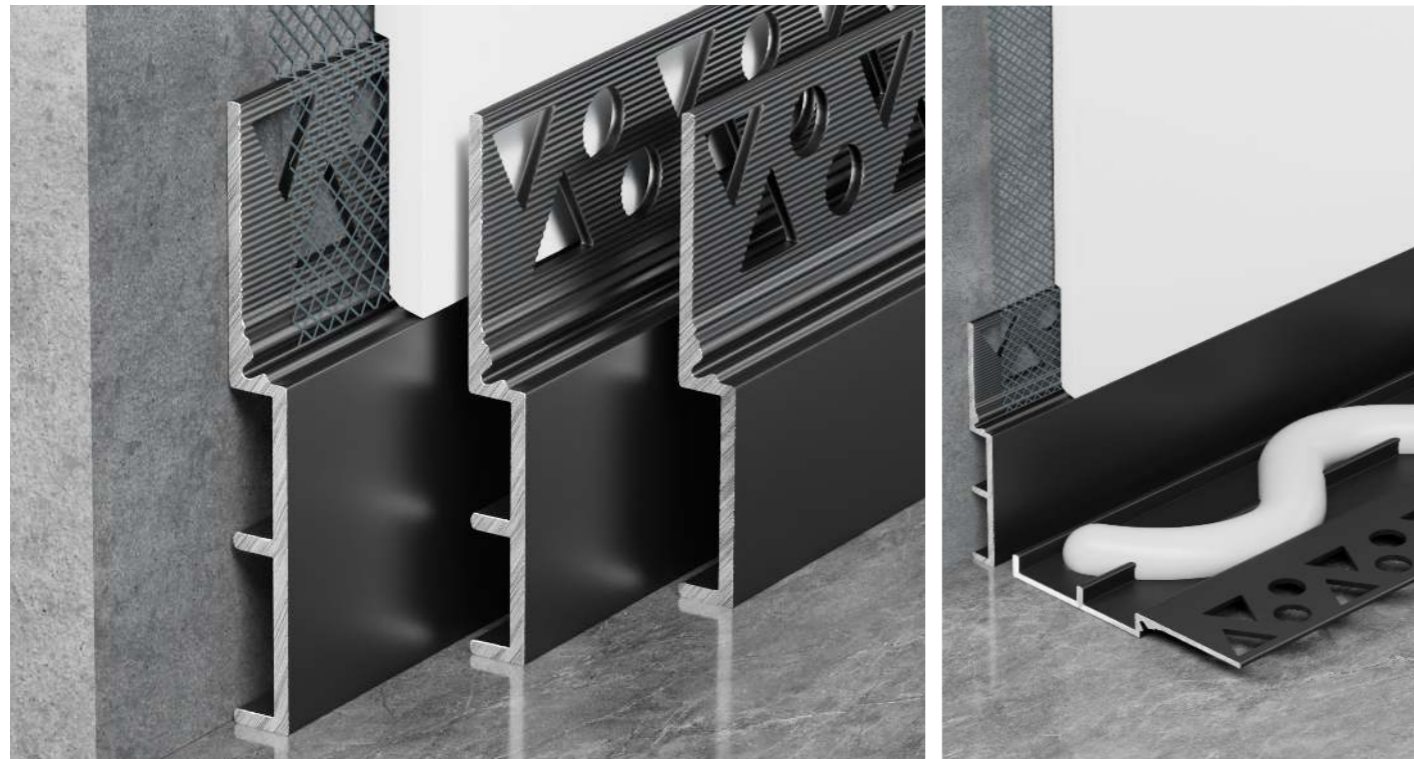


Black
30mm



Black
40mm

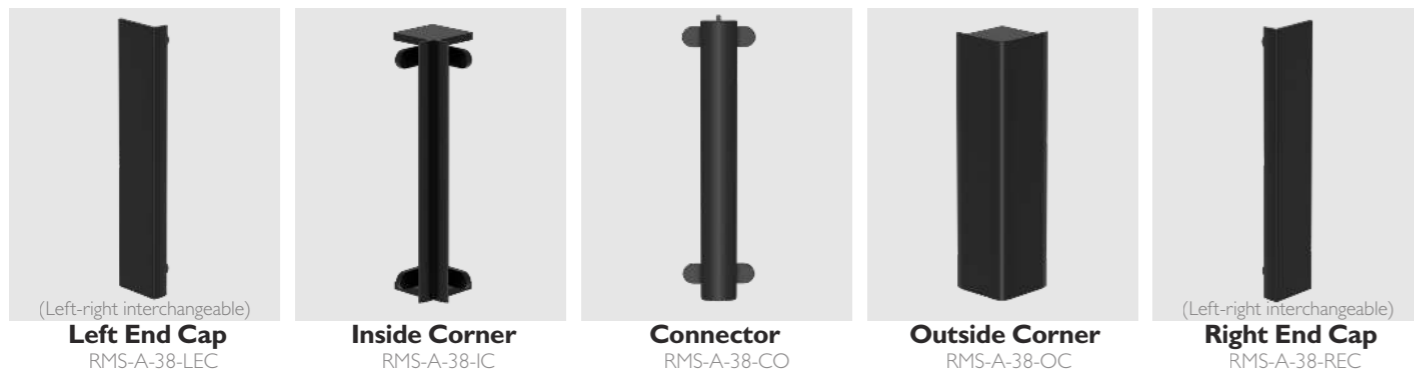
SKITING PROFILE—RMS-A-38



FRONT INSTALLATION ILLUSTRATION

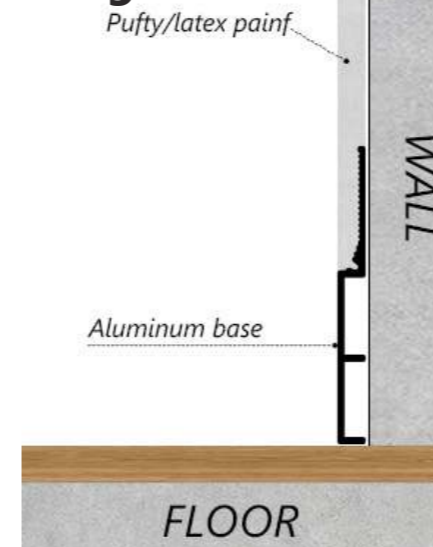


ACCESSORIES



Product parameters

Installation Diagram



	RMS-A-38-A2	RMS-A-38-A3	RMS-A-38-A4
Material:	Aluminum		
Length(mm):	2500		

COLOR



White
20mm



White
30mm



White
40mm



Black
20mm



Black
30mm



Black
40mm

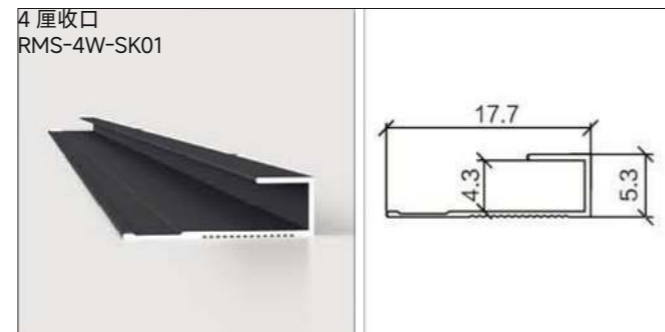
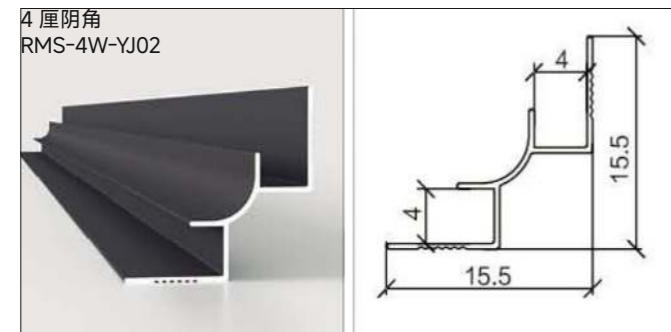
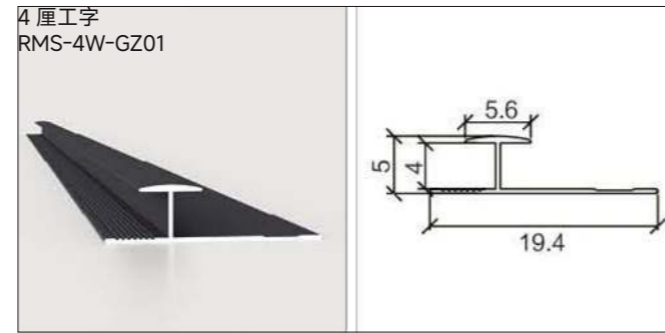
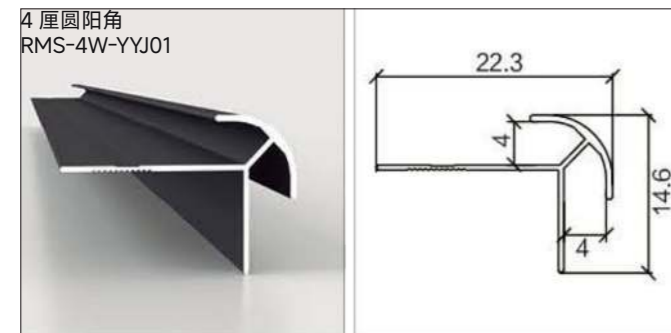
4 PCT RETAINING WALL SERIES

▶ 4 厘护墙系列

Product material: Aluminum alloy

Application site: Home decoration / Industrial decoration

Product color: Matte gold / Matte black / Rose gold / Glossy silver



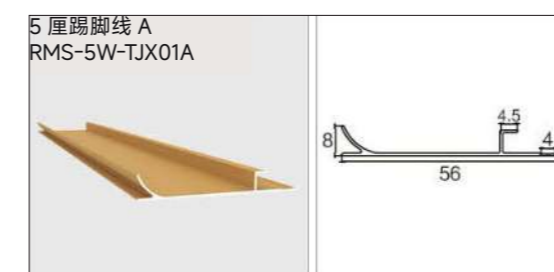
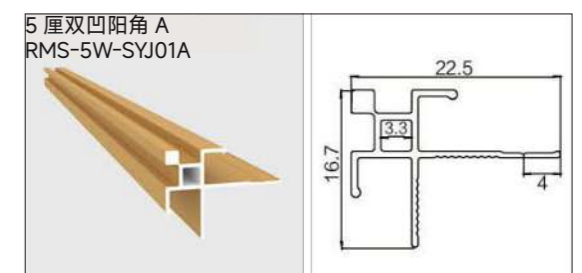
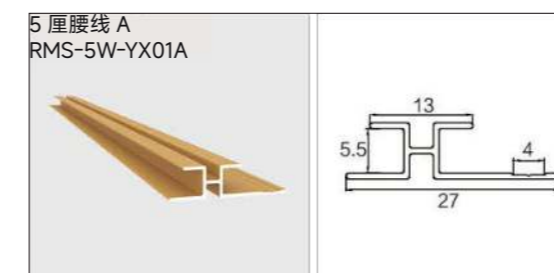
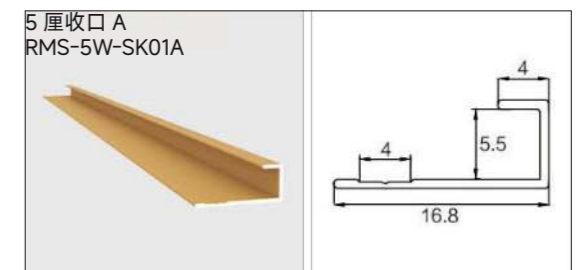
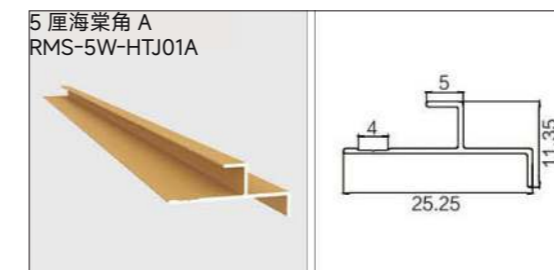
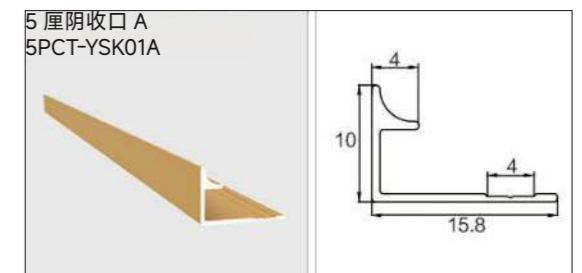
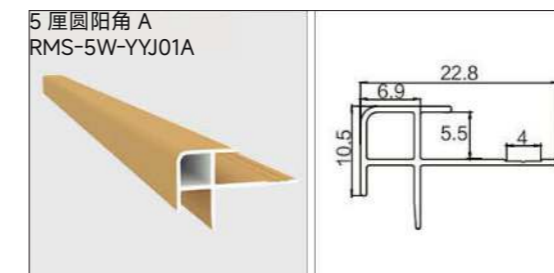
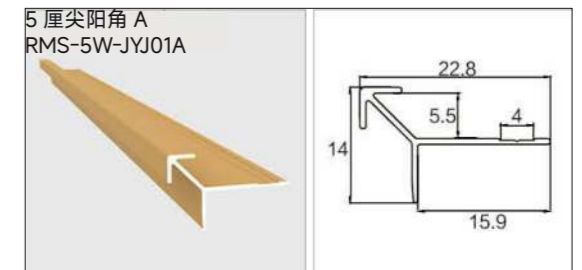
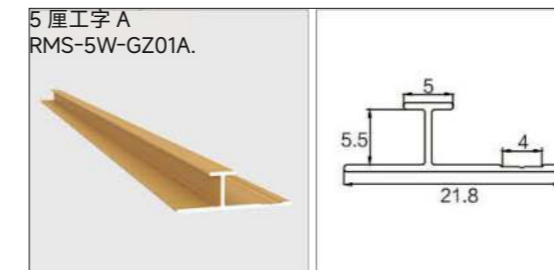
5 PCT RETAINING WALL SERIES

▶ 5 厘厚款系列

Product material: Aluminum alloy/PVC

Application site: Home decoration / Industrial decoration

Product color: Matte gold / Matte black / Rose gold / Glossy silver/Bronze



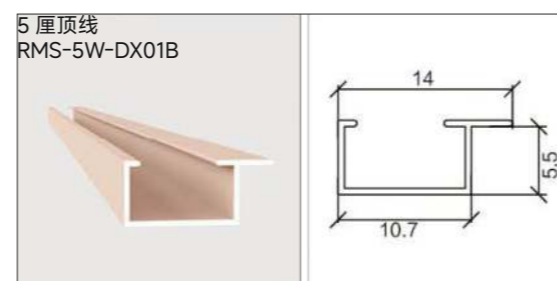
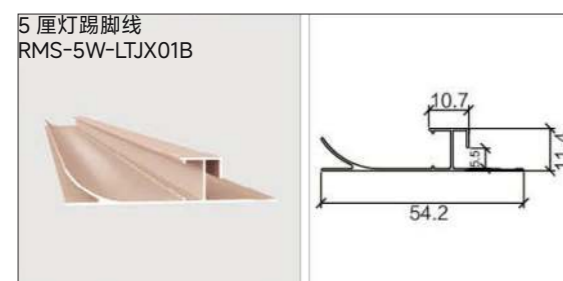
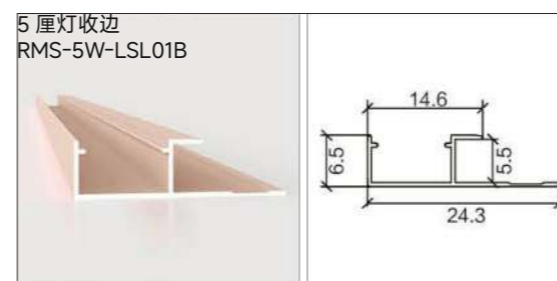
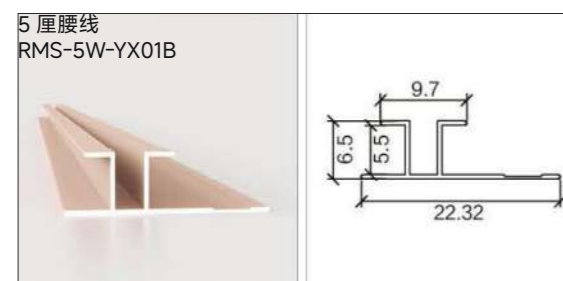
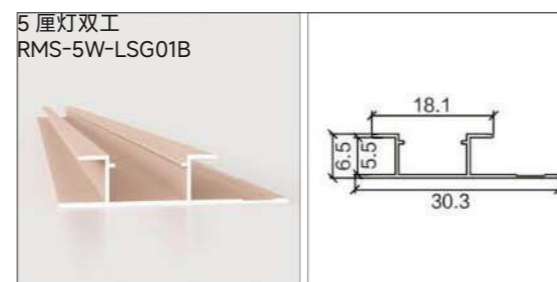
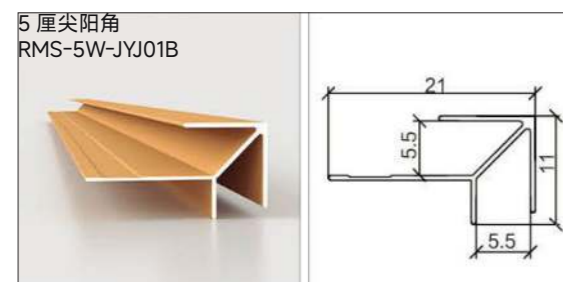
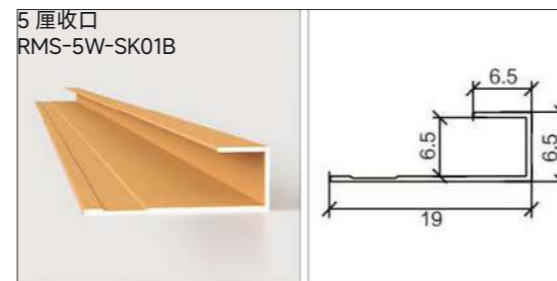
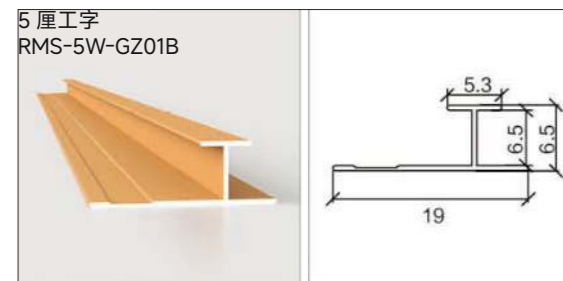
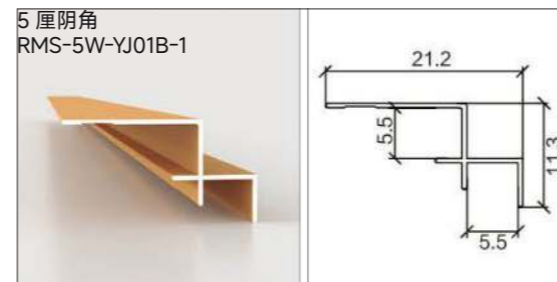
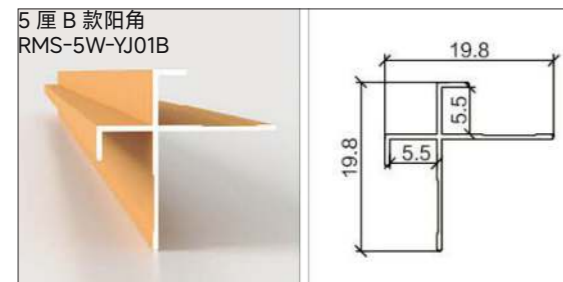
5 PCT RETAINING WALL SERIES

▶ 5 厘护墙系列

Product material: Aluminum alloy/PVC

Application site: Home decoration / Industrial decoration

Product color: Matte gold / Matte black / Rose gold
Glossy silver/Bronze



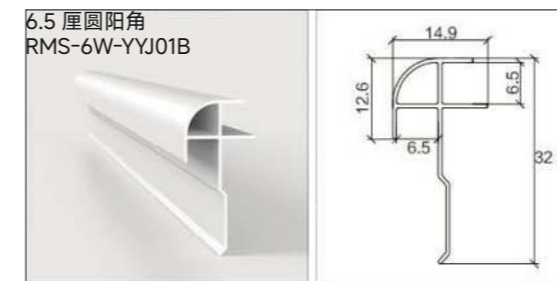
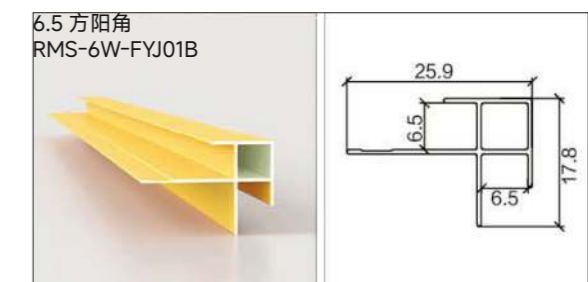
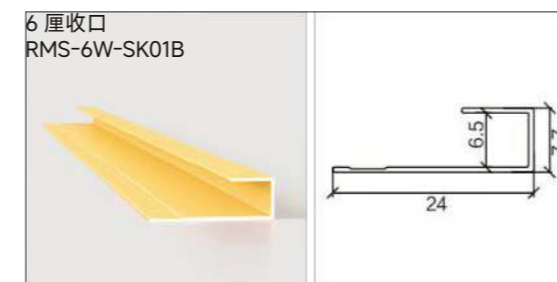
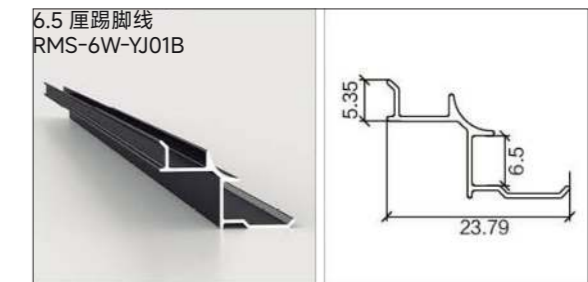
6 PCT RETAINING WALL SERIES

▶ 6 厘护墙系列

Product material: Aluminum alloy/PVC

Application site: Home decoration / Industrial decoration

Product color: Matte gold / Matte black / Rose gold
Glossy silver/Bronze



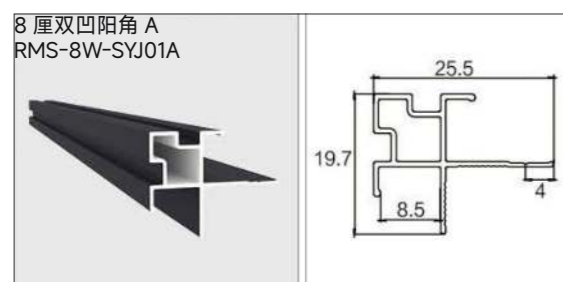
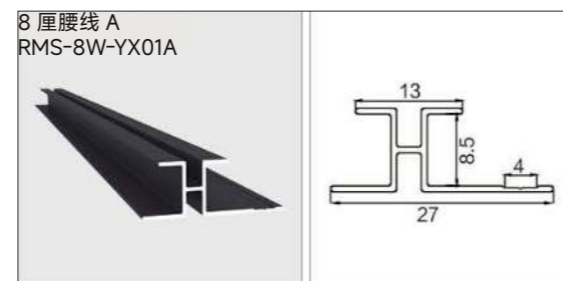
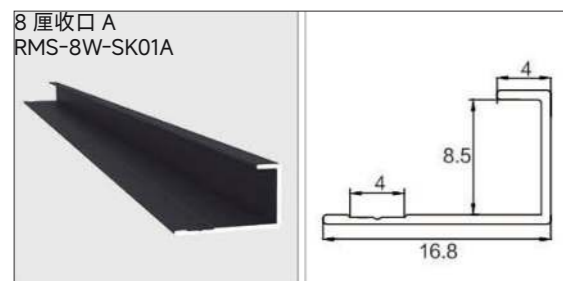
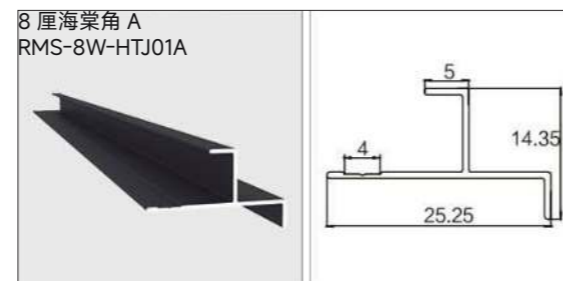
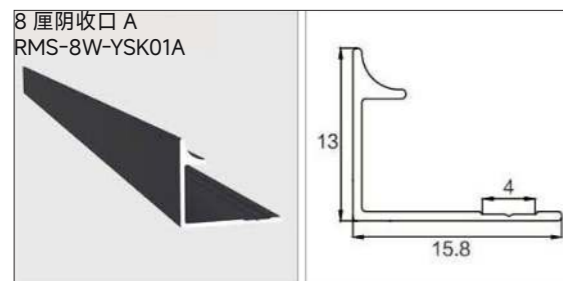
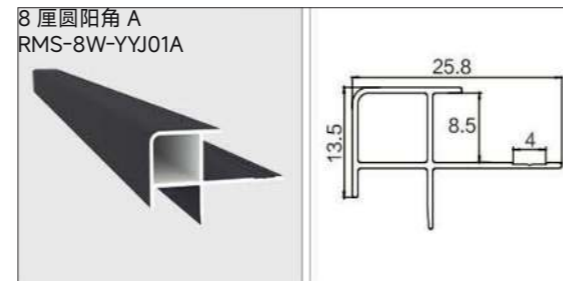
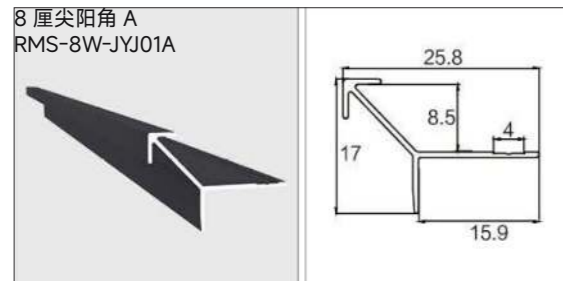
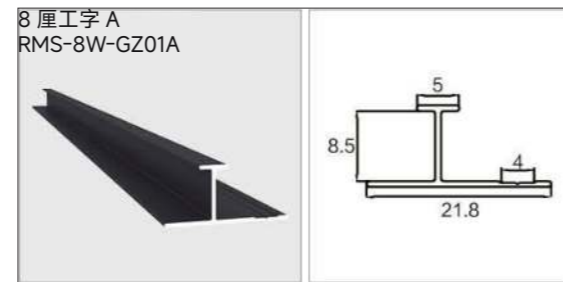
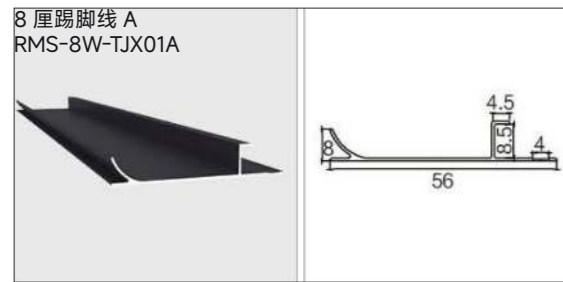
8 PCT RETAINING WALL SERIES

8 厘厚款系列

Product material: Aluminum alloy/PVC

Application site: Home decoration / Industrial decoration

Product color: Matte gold / Matte black / Rose gold
Glossy silver/Bronze



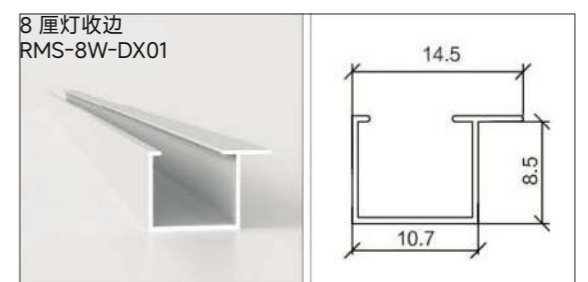
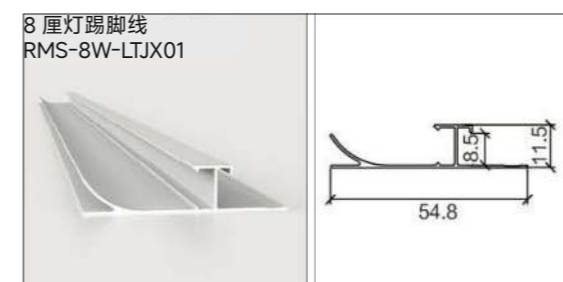
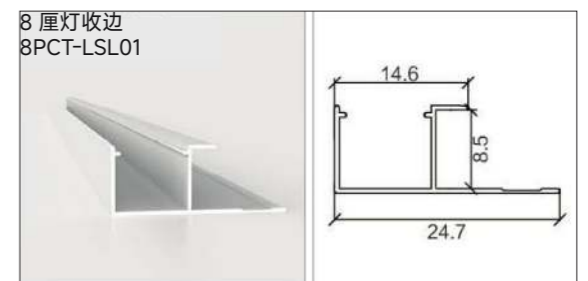
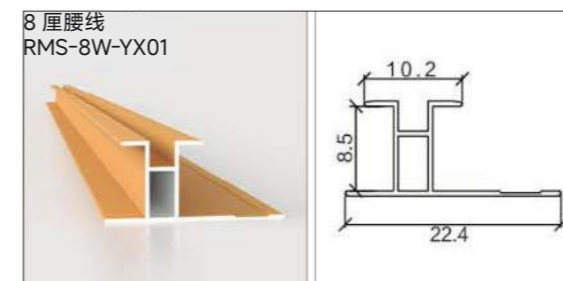
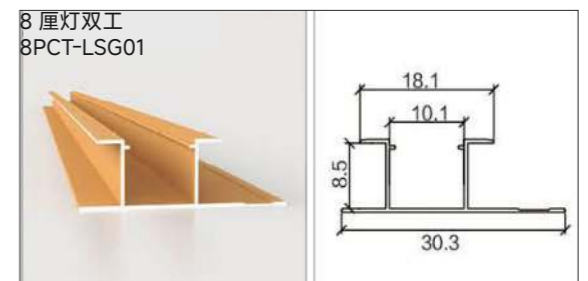
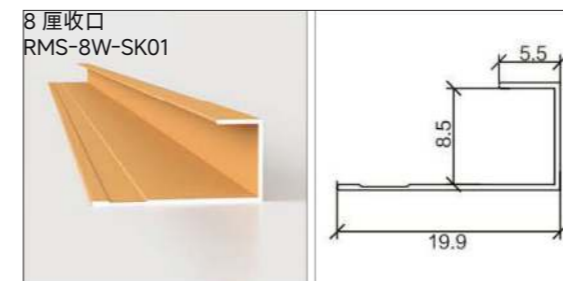
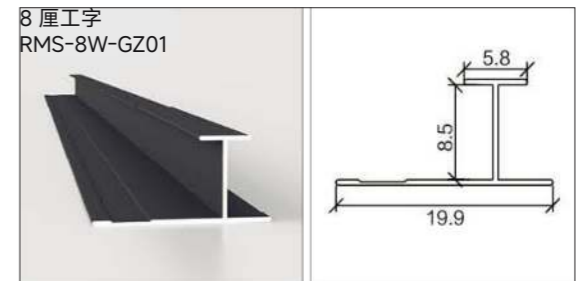
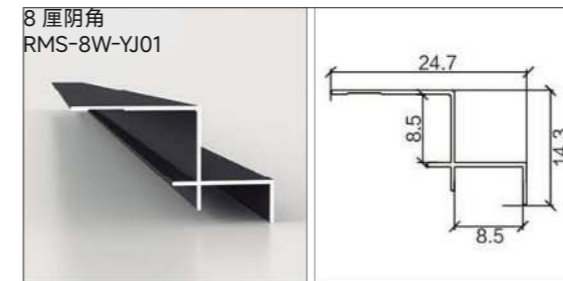
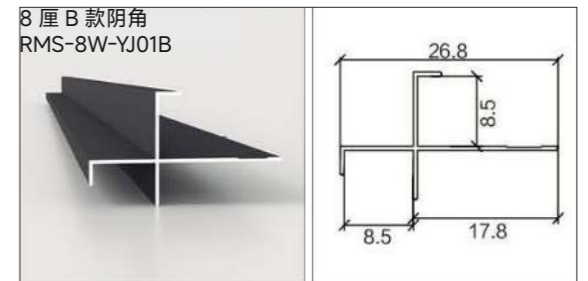
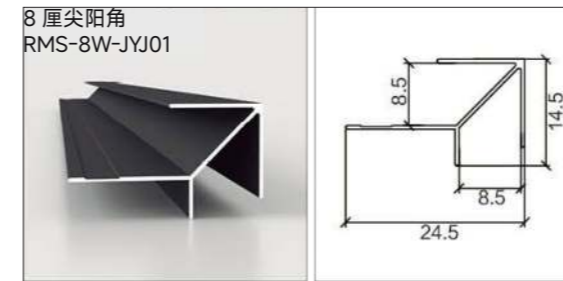
8 PCT RETAINING WALL SERIES

8 厘护墙系列

Product material: Aluminum alloy/PVC

Application site: Home decoration / Industrial decoration

Product color: Matte gold / Matte black / Rose gold
Glossy silver/Bronze



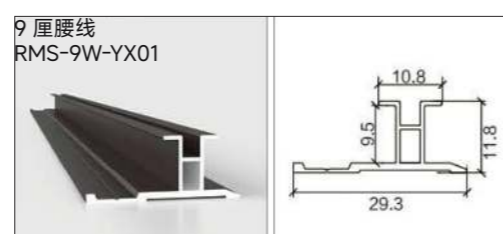
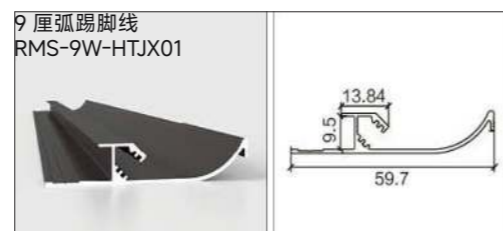
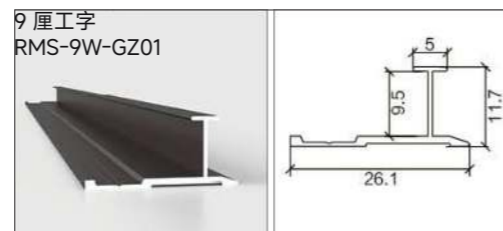
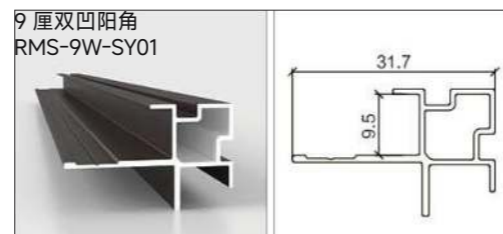
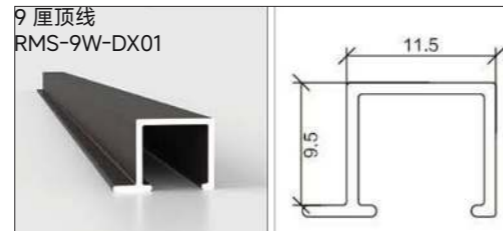
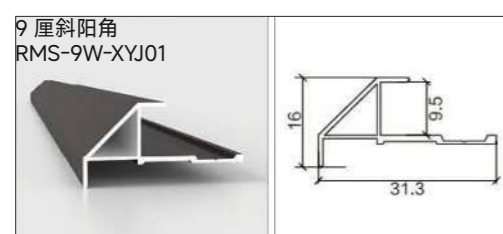
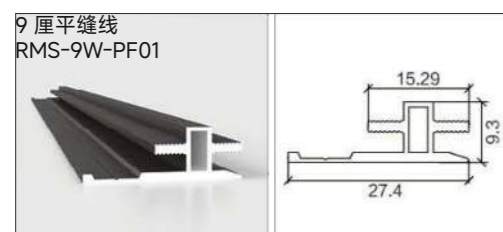
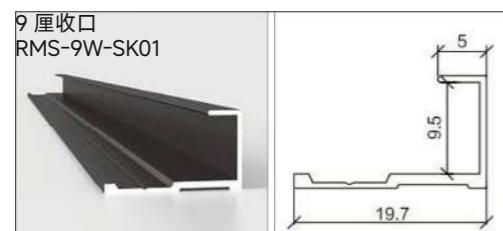
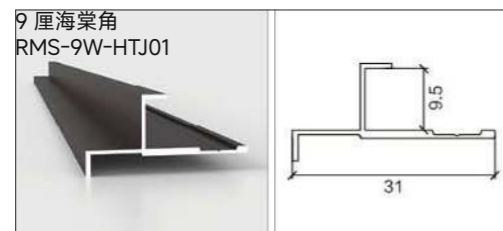
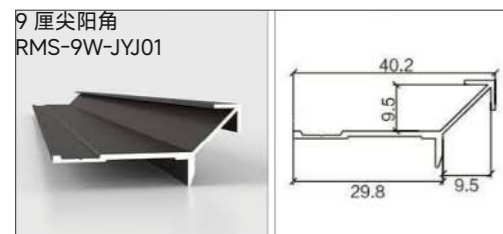
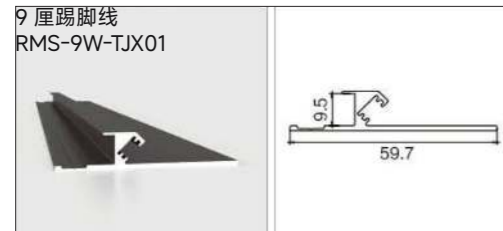
9 PCT RETAINING WALL SERIES

▶ 9 厘厚护墙

Product material: Aluminum alloy/PVC

Application site: Home decoration / Industrial decoration

Product color: Matte gold / Matte black / Rose gold
Brushed bronze



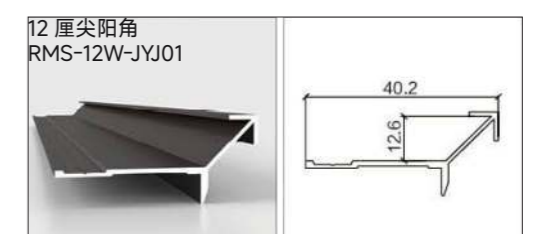
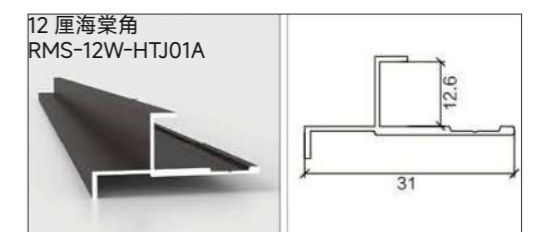
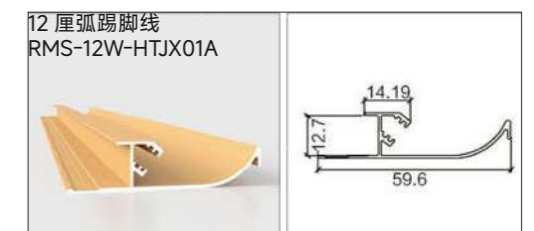
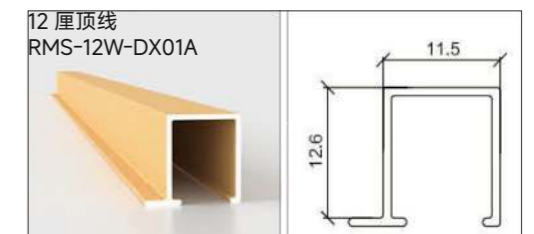
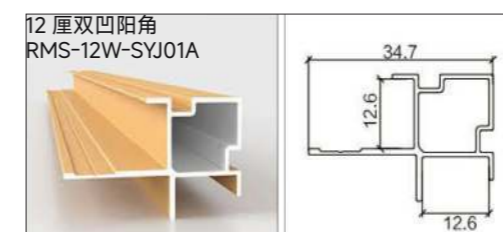
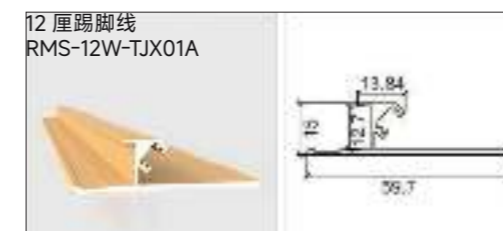
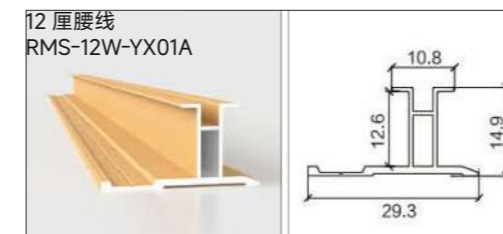
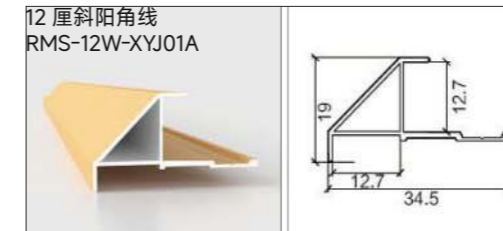
12 PCT RETAINING WALL SERIES

▶ 12 厘厚护墙系列

Product material: Aluminum alloy/PVC

Application site: Home decoration / Industrial decoration

Product color: Matte gold / Matte black / Rose gold
Glossy silver/Bronze



15 PCT RETAINING WALL SERIES

▶ 15 厘厚护墙系列

Product material: Aluminum alloy/PVC

Application site: Home decoration / Industrial decoration

Product color: Matte gold / Matte black / Rose gold
Glossy silver/Bronze



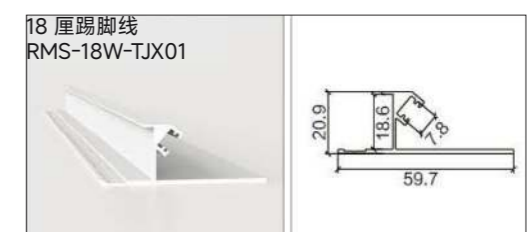
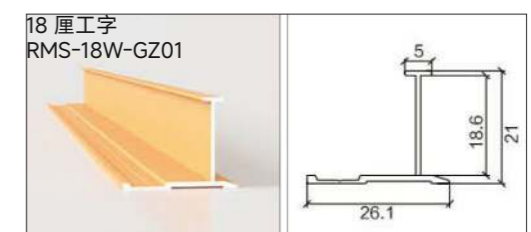
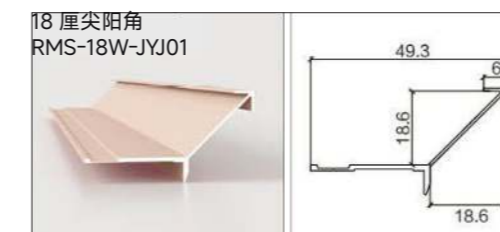
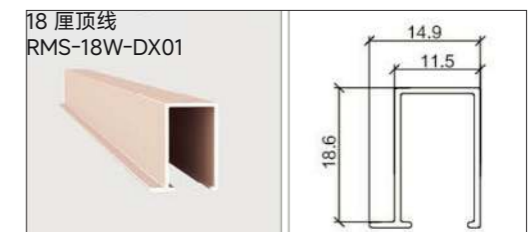
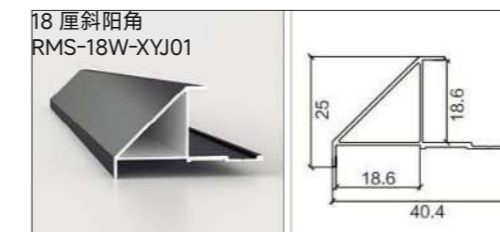
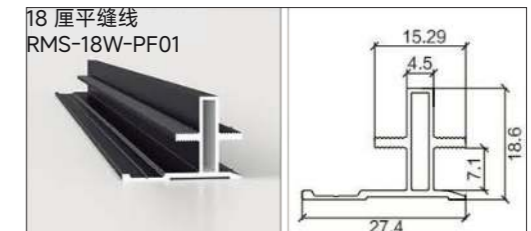
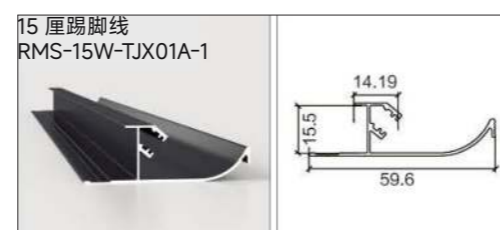
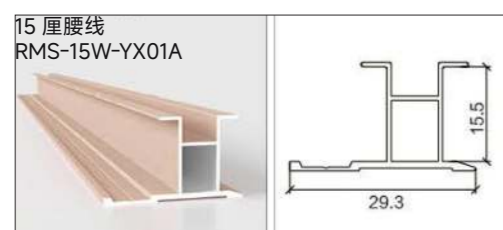
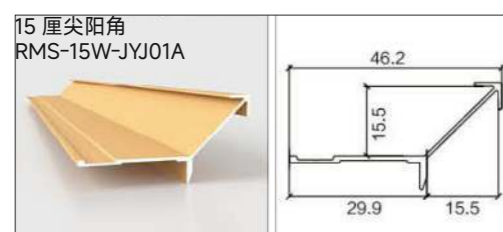
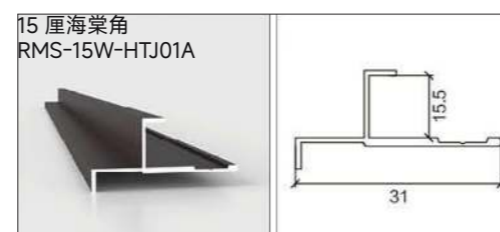
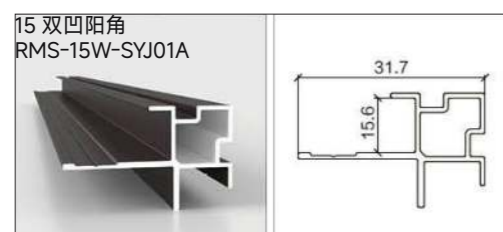
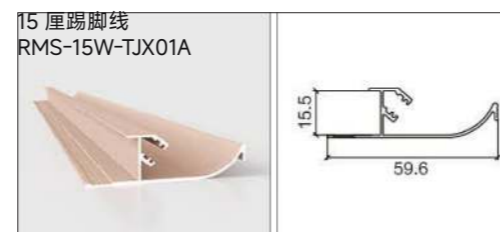
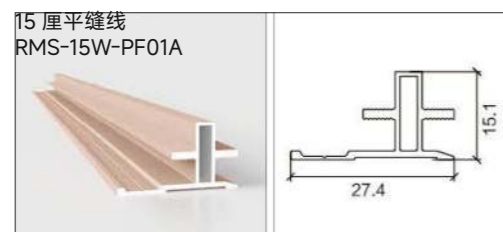
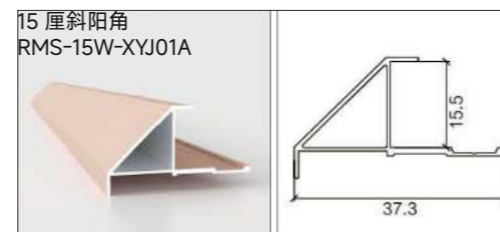
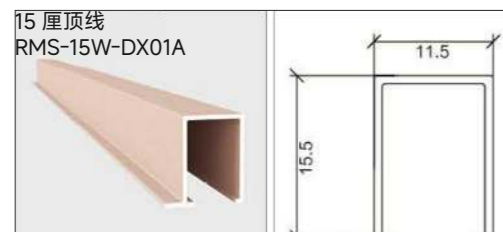
18 PCT RETAINING WALL SERIES

▶ 18 厘厚护墙系列

Product material: Aluminum alloy/PVC

Application site: Home decoration / Industrial decoration

Product color: Matte gold / Matte black / Rose gold
Glossy silver/Bronze



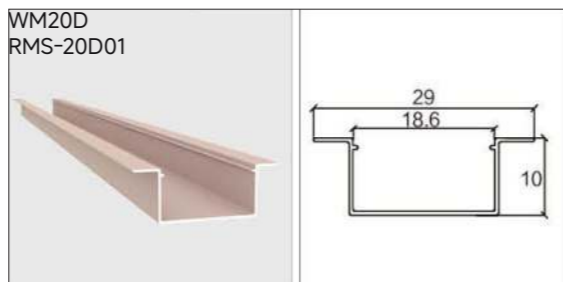
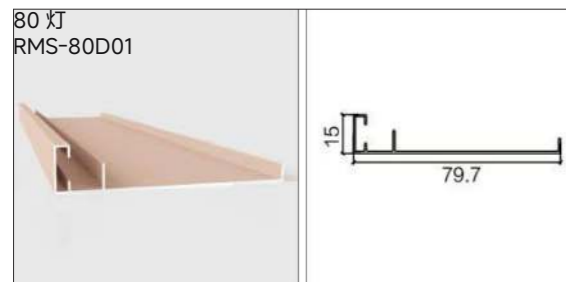
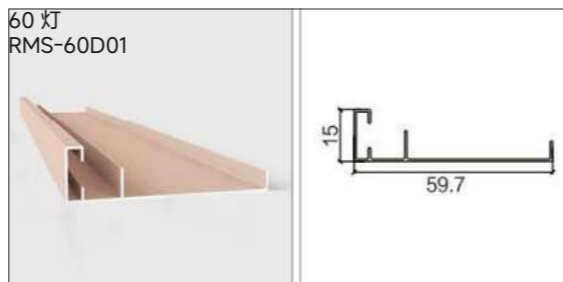
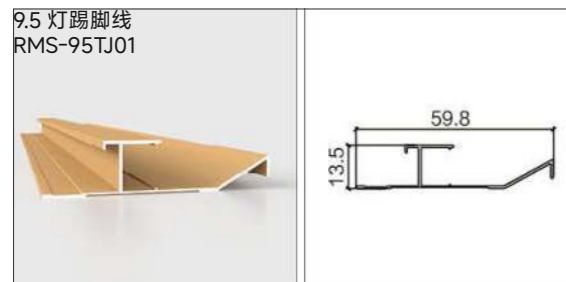
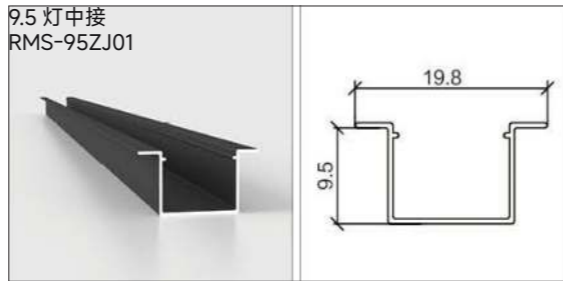
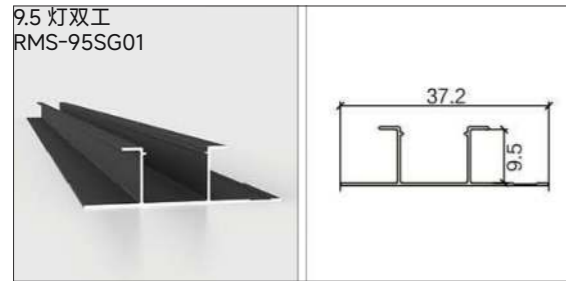
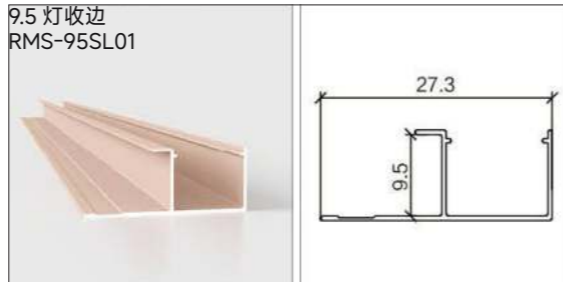
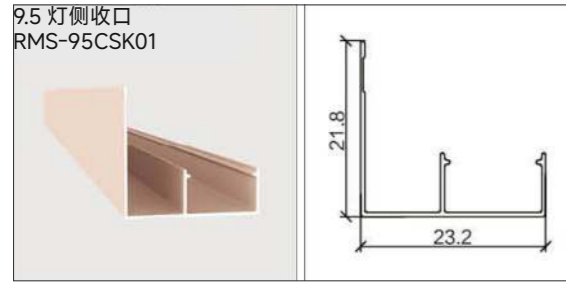
9.5 LIGHT LINE SERIES

▶ 9.5 灯线系列

Product material: Aluminum alloy/PVC

Application site: Home decoration / Industrial decoration

Product color: Matte gold / Matte black / Rose gold
60+80Lamp Brushed bright black/brushed bright gold
brushed rose gold



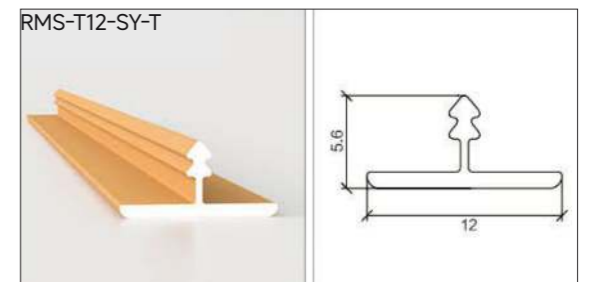
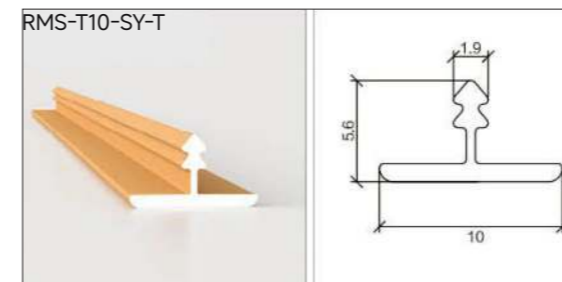
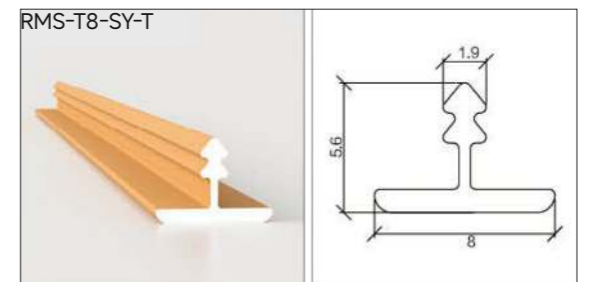
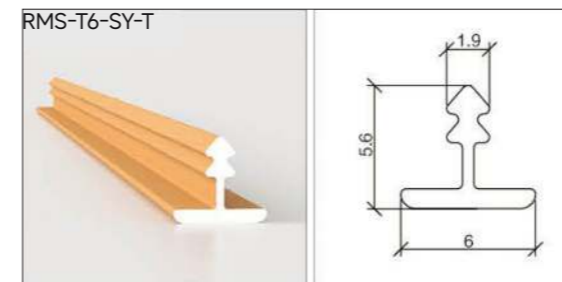
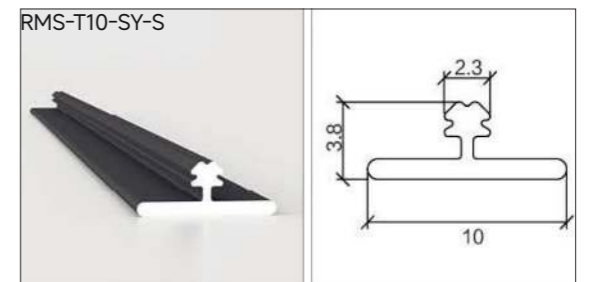
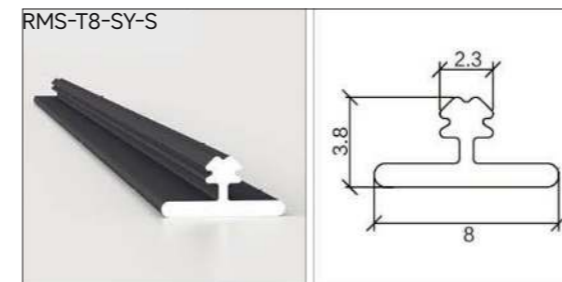
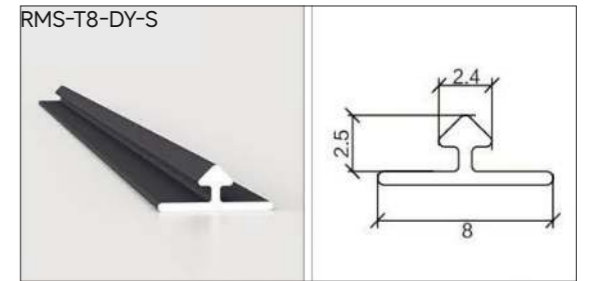
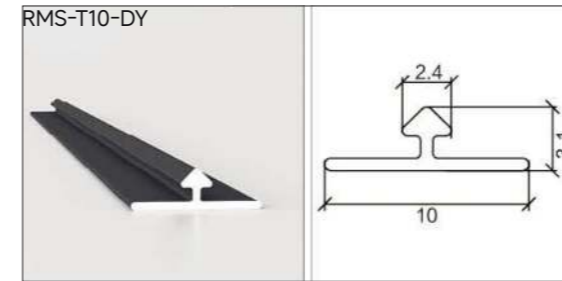
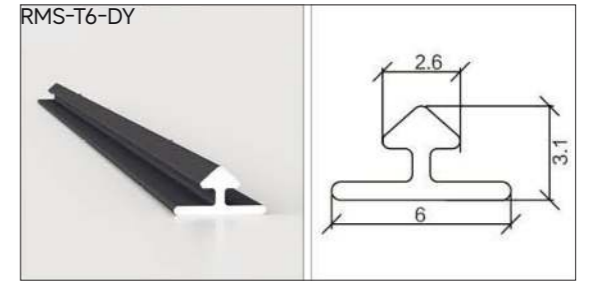
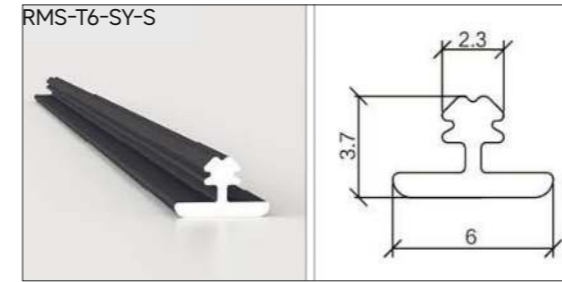
T SERIES

▶ T 型系列

Product material: Aluminum alloy/PVC

Application site: Home decoration / Industrial decoration

Product color: Bright black / bright gold / rose gold /
matte black / matte gold / matte silver / bright silver brushed /
rose gold / brushed bright gold /
brushed bright black / matte bronze

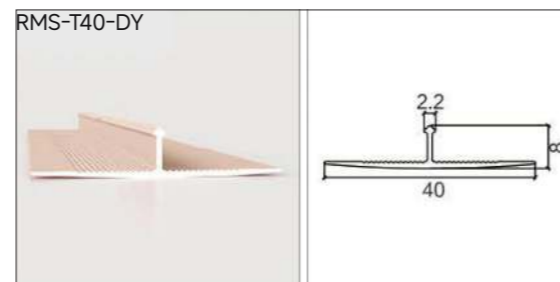
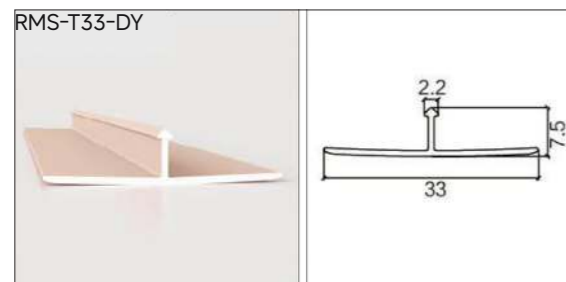
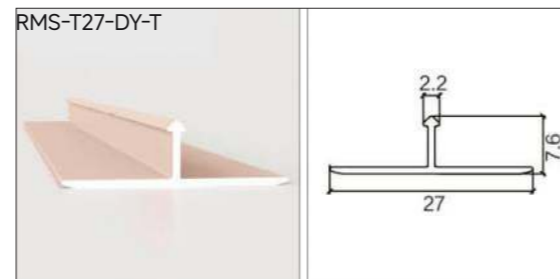
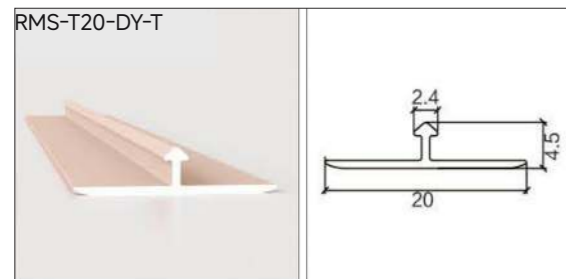
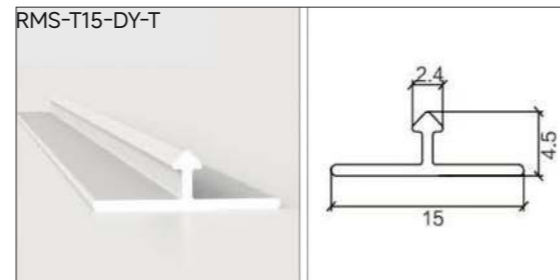
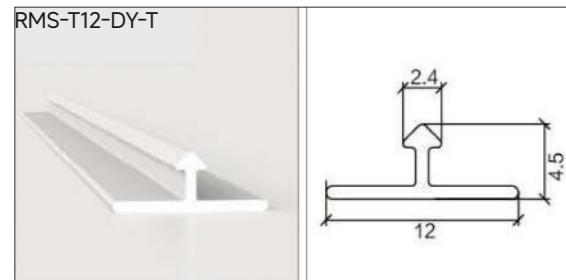
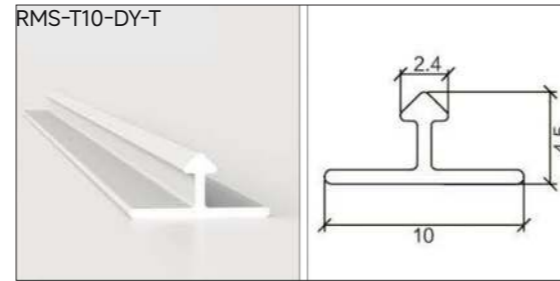
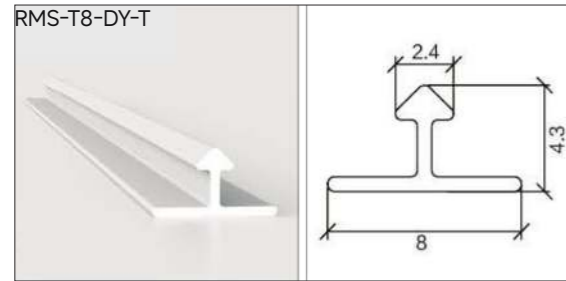
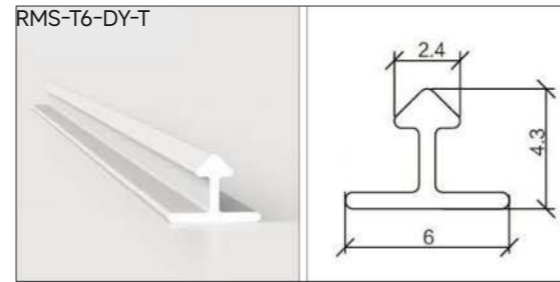
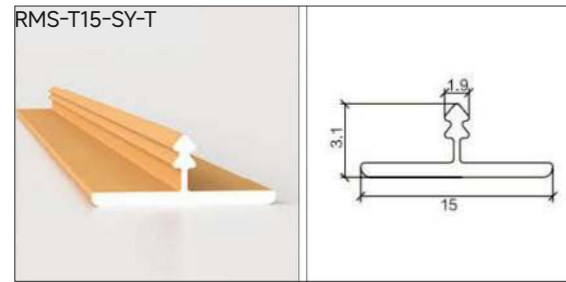


PERFECT EXAMPLE

PERFECT EXAMPLE

尊贵典雅 · 完美典范

Over the years, has been strict demands of strict checks, every detail is impeccable, each kind of modeling are the essence of convergence, ualty inside and outside as one, it is impressed, Obsessed with talored art, dedicated to create a perfect homemodel!



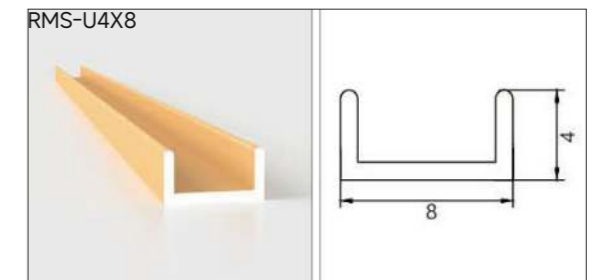
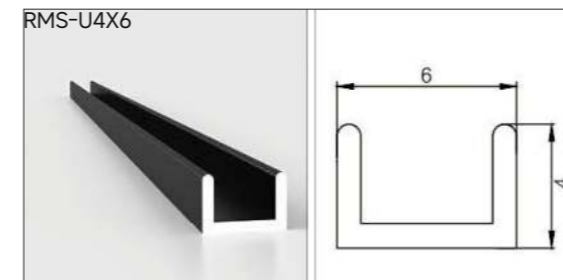
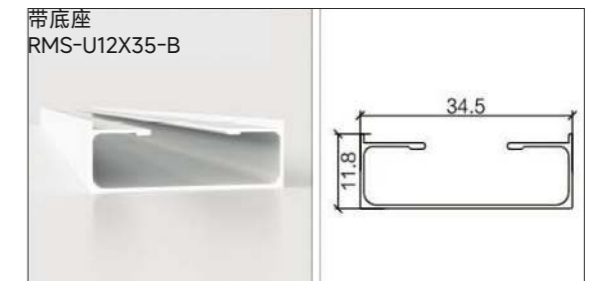
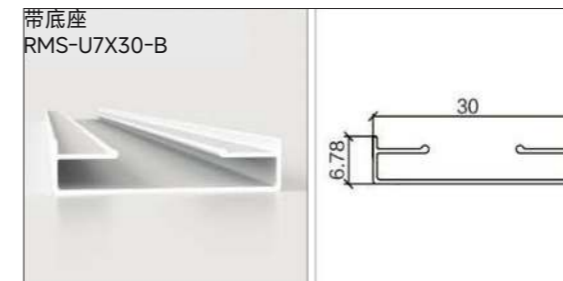
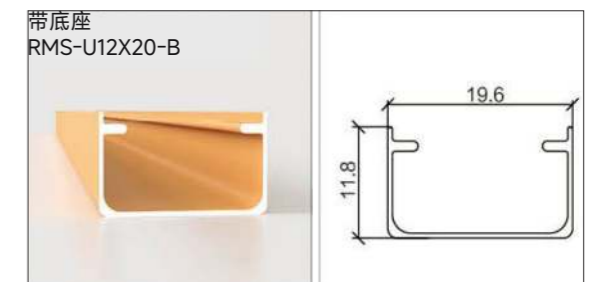
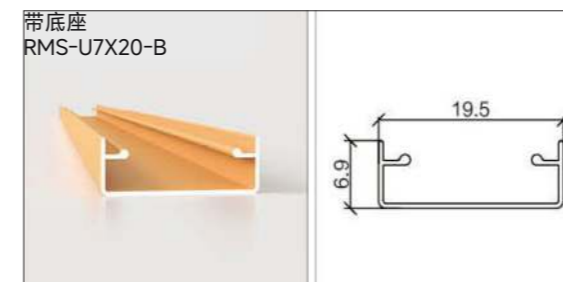
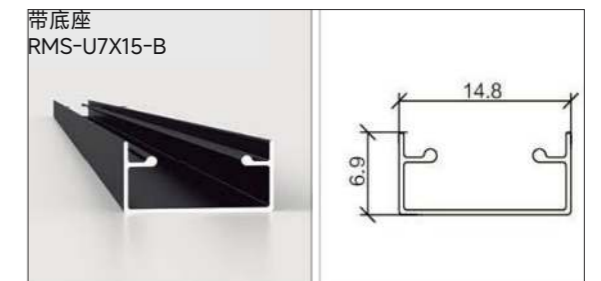
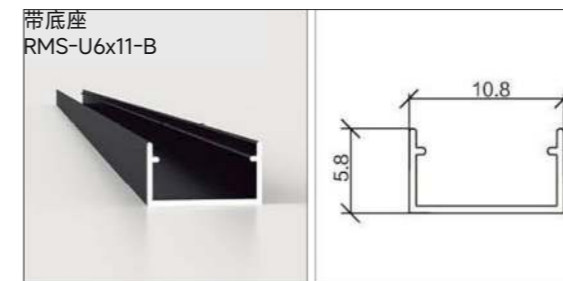
U-SLOT WITH BASE SERIES

▶ U 型槽带底座系列

Product material: Aluminum alloy/PVC

Application site: Home decoration / Industrial decoration

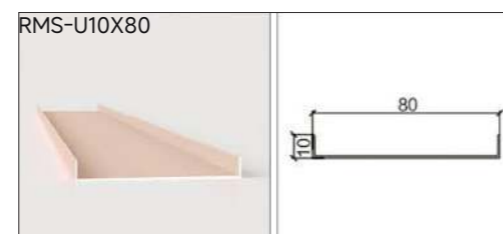
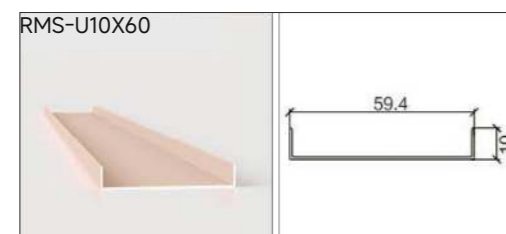
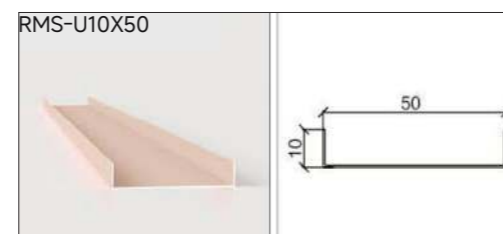
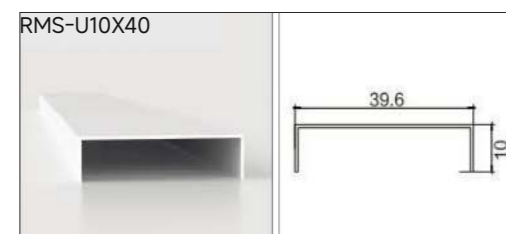
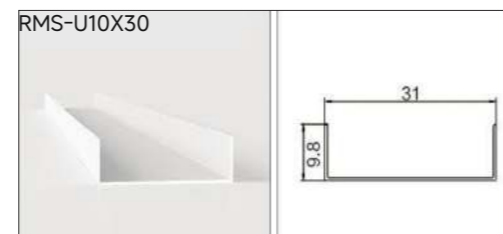
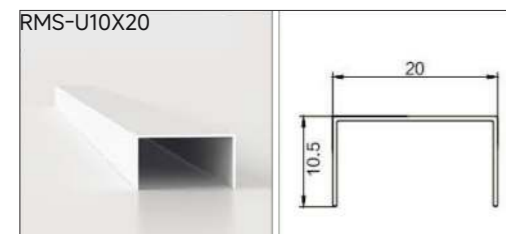
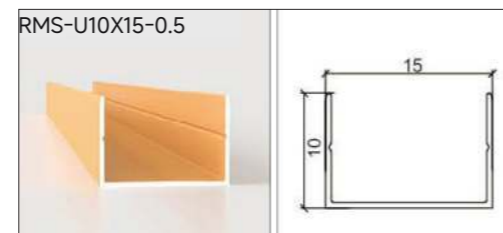
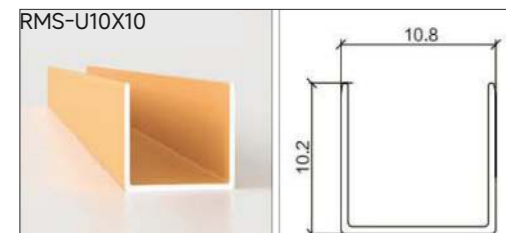
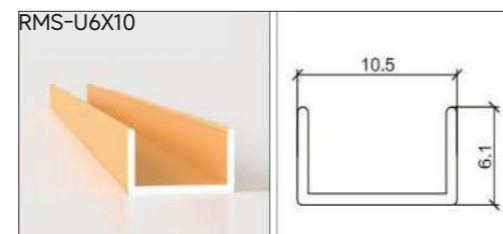
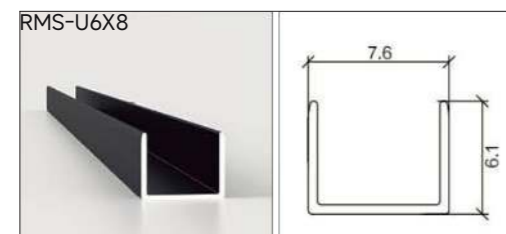
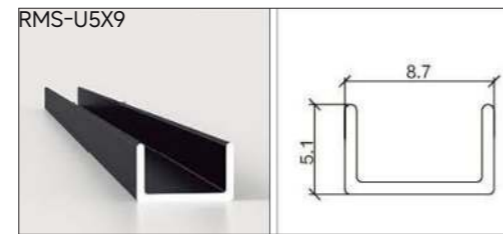
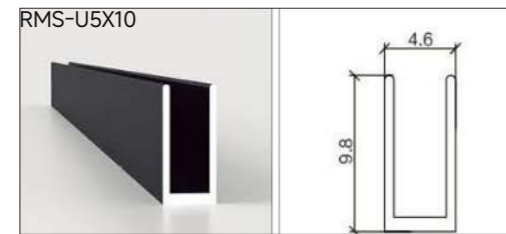
Product color: Bright black / bright gold / rose gold
matte black / matte gold / brushed rose gold
brushed bright gold / brushed bright black



U-SLOT WITH BASE SERIES

▶ U 型系列

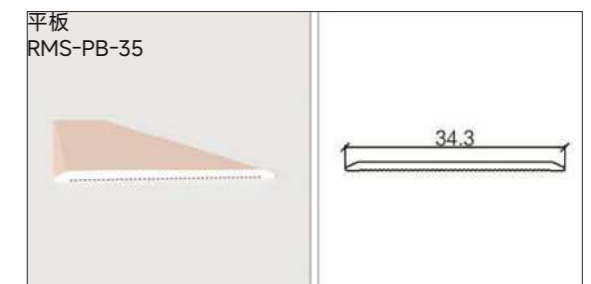
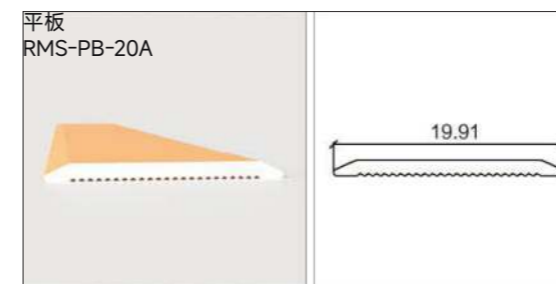
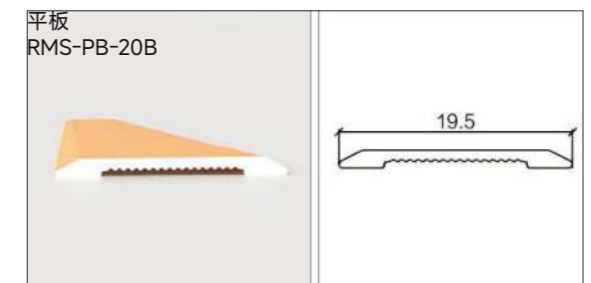
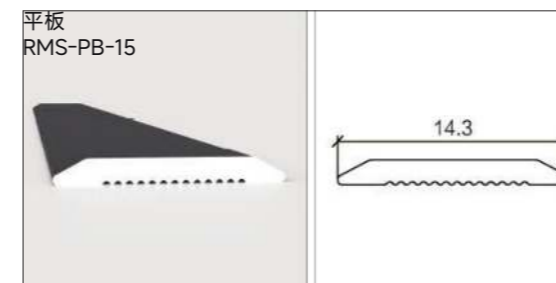
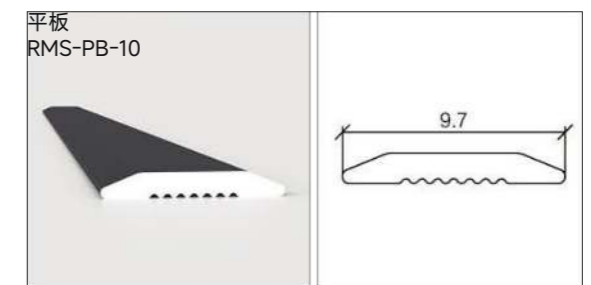
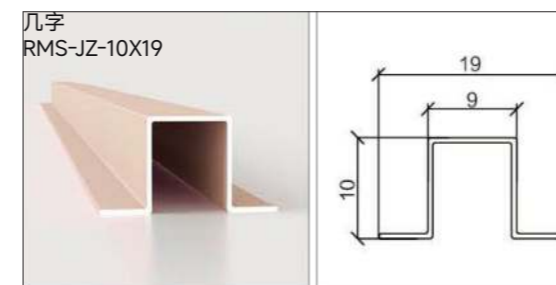
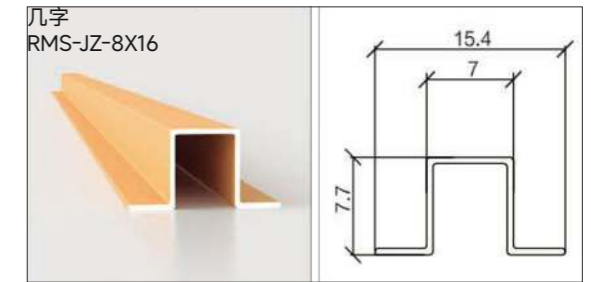
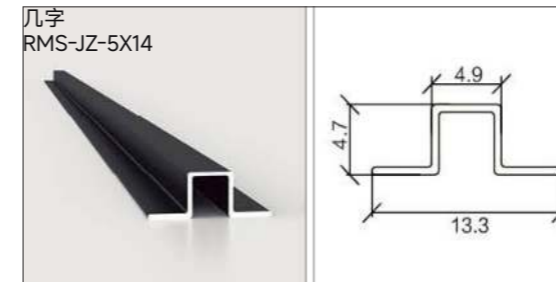
Product material: Aluminum alloy/PVC
Application site: Home decoration / Industrial decoration
Product color: Bright black / bright gold / rose gold
 matte black and matte gold / matte silver / bright silver
 brushed bright black / sprayed white



A FEW WORDS + TABLET SERIES

▶ 几字 + 平板系列

Product material: Aluminum alloy/PVC
Application site: Home decoration / Industrial decoration
Product color: Bright black / bright gold / rose gold
 matte black / matte gold / matte silver



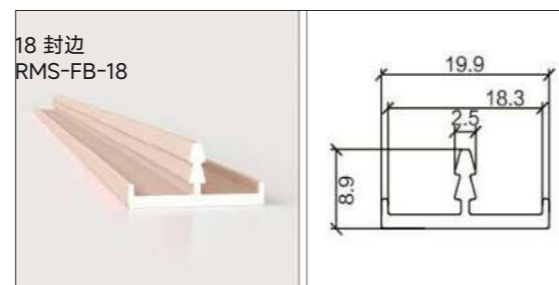
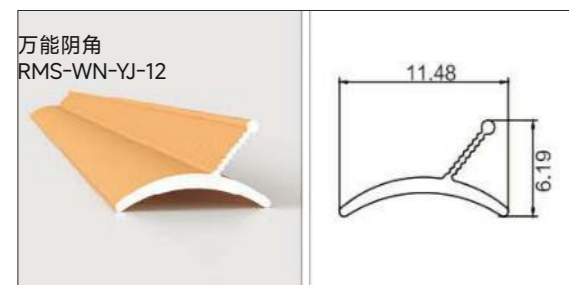
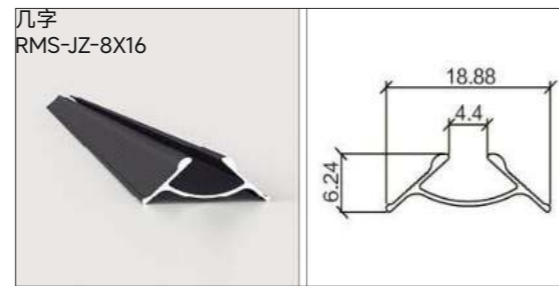
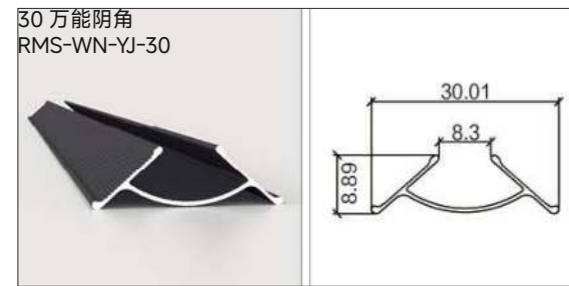
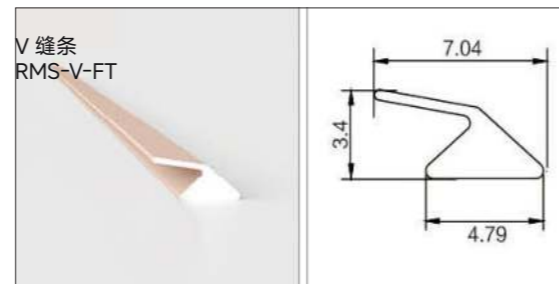
UNIVERSAL INNER CORNER + 18 EDGE BANDING SERIES

▶ 万能阴角 +18 封边系列

Product material: Aluminum alloy/PVC

Application site: Home decoration / Industrial decoration

Product color: Sand black / sand gold / sand rose gold



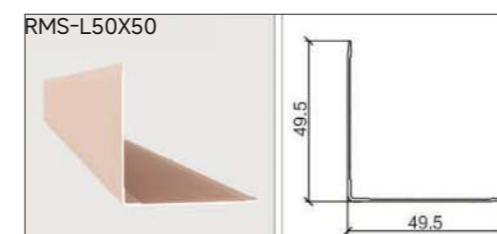
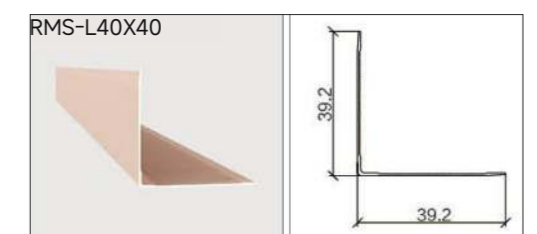
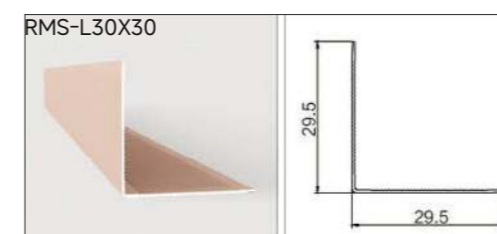
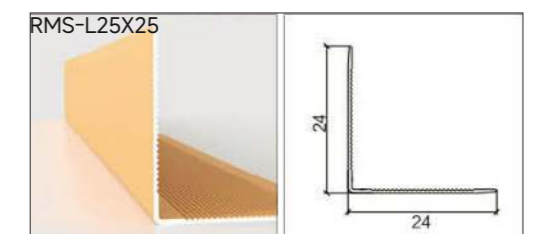
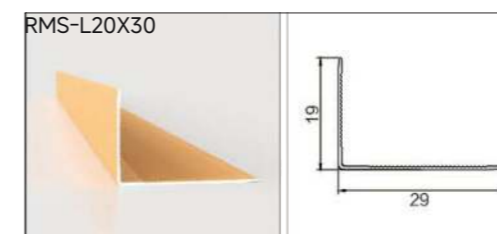
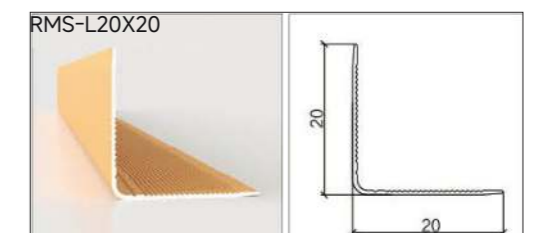
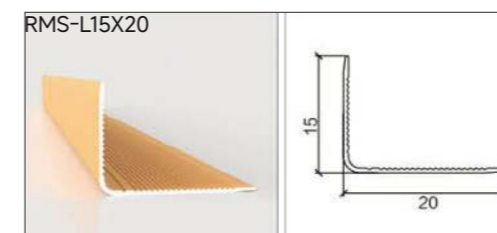
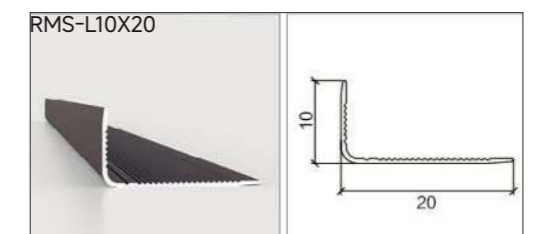
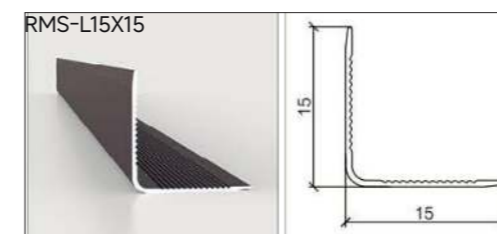
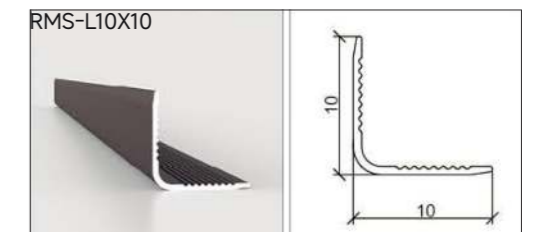
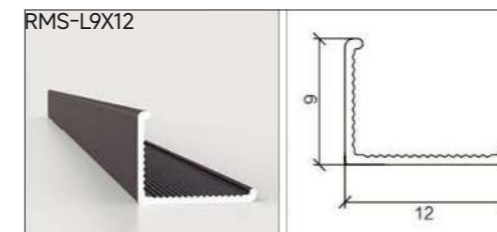
L line SERIES

▶ 直角 L 条系列

Product material: Aluminum alloy/PVC

Application site: Home decoration / Industrial decoration

Product color: Bright black / bright gold / rose gold / matte black / matte gold / matte silver / bright silver / brushed bright black / brushed bright gold / brushed rose gold / brushed bronze / sprayed white / sand black / sand rose gold / sand gold



LINE LIGHT PROFILE



下单名称
order name **XTD-001**
 产品名称
product name 线条灯铝材 10*10 无边
 壁厚: 0.6mm
 表面处理:
 氧化碱砂白 高端氧化金
 喷涂沙纹黑 高端氧化黑
 普通氧化银 高端氧化灰
 进口 PC 罩:
 乳白色 磨砂面 平光面 蜂窝状
 黑色 平光面 蜂窝状
 G0.063




下单名称
order name **XTD-002**
 产品名称
product name 线条灯铝材 10*10 带边
 壁厚: 0.6mm
 表面处理:
 氧化碱砂白 高端氧化金
 喷涂沙纹黑 高端氧化黑
 普通氧化银 高端氧化灰
 进口 PC 罩:
 乳白色 磨砂面 平光面 蜂窝状
 黑色 平光面 蜂窝状
 G0.07




下单名称
order name **XTD-003**
 产品名称
product name 线条灯铝材 10*10 无边
 壁厚: 0.8mm
 表面处理:
 氧化碱砂白 高端氧化金
 喷涂沙纹黑 高端氧化黑
 普通氧化银 高端氧化灰
 进口 PC 罩:
 乳白色 磨砂面 平光面 蜂窝状
 黑色 平光面 蜂窝状
 G0.07




下单名称
order name **XTD-004**
 产品名称
product name 线条灯铝材 10*10 带边
 壁厚: 0.8mm
 表面处理:
 氧化碱砂白 高端氧化金
 喷涂沙纹黑 高端氧化黑
 普通氧化银 高端氧化灰
 进口 PC 罩:
 乳白色 磨砂面 平光面 蜂窝状
 黑色 平光面 蜂窝状
 G0.077




下单名称
order name **XTD-007**
 产品名称
product name 线条灯铝材 10*10 无边
 壁厚: 1.2mm
 表面处理:
 氧化碱砂白 高端氧化金
 喷涂沙纹黑 高端氧化黑
 普通氧化银 高端氧化灰
 进口 PC 罩:
 乳白色 磨砂面 平光面 蜂窝状
 黑色 平光面 蜂窝状
 G0.078




LINE LIGHT PROFILE



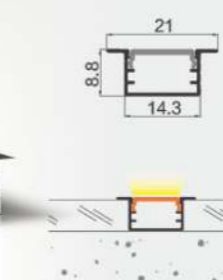
下单名称
order name **XTD-211**
 产品名称
product name 线条灯铝材 10*10 免焊接
 壁厚: 0.8mm
 表面处理:
 氧化碱砂白 高端氧化金
 喷涂沙纹黑 高端氧化黑
 普通氧化银 高端氧化灰
 进口 PC 罩:
 乳白色 磨砂面 平光面 蜂窝状
 黑色 平光面 蜂窝状
 G0.062




下单名称
order name **XTD-009**
 产品名称
product name 线条灯铝材 1509 无边
 壁厚: 0.6mm
 表面处理:
 氧化碱砂白 高端氧化金
 喷涂沙纹黑 高端氧化黑
 普通氧化银 高端氧化灰
 进口 PC 罩:
 乳白色 磨砂面 平光面 蜂窝状
 黑色 平光面 蜂窝状
 G0.006

下单名称
order name **XTD-010**
 产品名称
product name 线条灯铝材 1509 带边
 壁厚: 0.6mm
 表面处理:
 氧化碱砂白 高端氧化金
 喷涂沙纹黑 高端氧化黑
 普通氧化银 高端氧化灰
 进口 PC 罩:
 乳白色 磨砂面 平光面 蜂窝状
 黑色 平光面 蜂窝状
 G0.071





下单名称
order name **XTD-015**
 产品名称
product name 线条灯铝材 15*10 无边
 壁厚: 1.2mm
 表面处理:
 氧化碱砂白 高端氧化金
 喷涂沙纹黑 高端氧化黑
 普通氧化银 高端氧化灰
 进口 PC 罩:
 乳白色 磨砂面 平光面 蜂窝状
 黑色 平光面 蜂窝状
 G0.105



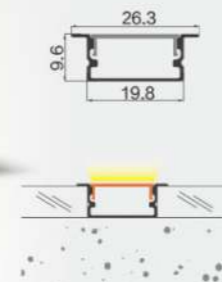


下单名称
order name **XTD-016**
 产品名称
product name 线条灯铝材 15*10 带边
 壁厚: 1.2mm
 表面处理:
 氧化碱砂白 高端氧化金
 喷涂沙纹黑 高端氧化黑
 普通氧化银 高端氧化灰
 进口 PC 罩:
 乳白色 磨砂面 平光面 蜂窝状
 黑色 平光面 蜂窝状
 G0.125



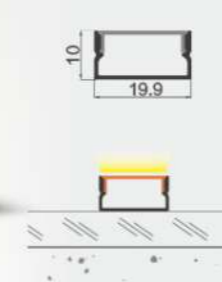

LINE LIGHT PROFILE



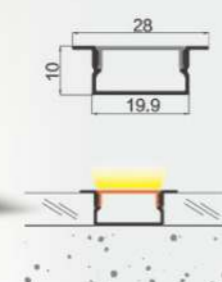
下单名称
order name **XTD-018**
 产品名称
product name 线条灯铝材 20*10 带边
 壁厚: 0.7mm
 表面处理:
 氧化碱砂白 高端氧化金
 喷涂沙纹黑 高端氧化黑
 普通氧化银 高端氧化灰
 进口 PC 罩:
 乳白色 磨砂面 平光面 蜂窝状
 黑色 平光面 蜂窝状
 G0.088


下单名称
order name **XTD-019**
 产品名称
product name 线条灯铝材 20*10 无边
 壁厚: 0.8mm
 表面处理:
 氧化碱砂白 高端氧化金
 喷涂沙纹黑 高端氧化黑
 普通氧化银 高端氧化灰
 进口 PC 罩:
 乳白色 磨砂面 平光面 蜂窝状
 黑色 平光面 蜂窝状
 G0.095

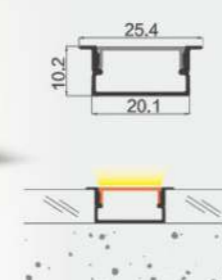
下单名称
order name **XTD-020**
 产品名称
product name 线条灯铝材 20*10 带边
 壁厚: 0.8mm
 表面处理:
 氧化碱砂白 高端氧化金
 喷涂沙纹黑 高端氧化黑
 普通氧化银 高端氧化灰
 进口 PC 罩:
 乳白色 磨砂面 平光面 蜂窝状
 黑色 平光面 蜂窝状
 G0.11



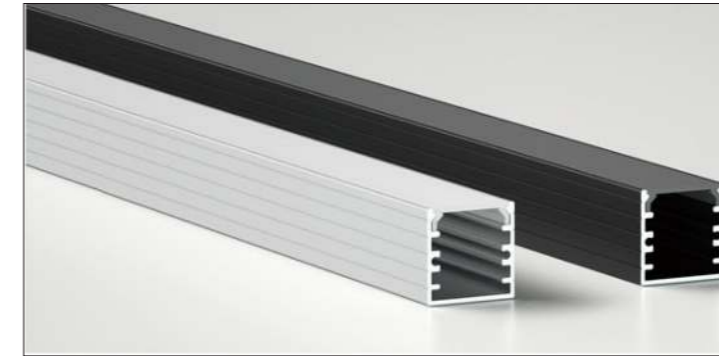

下单名称
order name **XTD-021**
 产品名称
product name 线条灯铝材 20*10 无边
 壁厚: 0.9mm
 表面处理:
 氧化碱砂白 高端氧化金
 喷涂沙纹黑 高端氧化黑
 普通氧化银 高端氧化灰
 进口 PC 罩:
 乳白色 磨砂面 平光面 蜂窝状
 黑色 平光面 蜂窝状
 G0.105

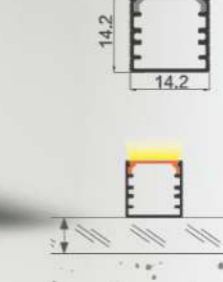
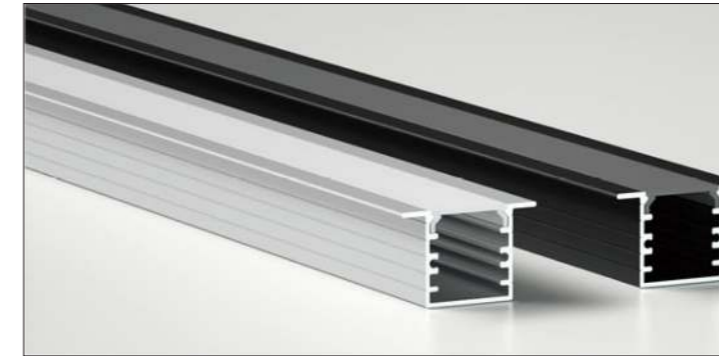
下单名称
order name **XTD-022**
 产品名称
product name 线条灯铝材 20*10 带边
 壁厚: 0.9mm
 表面处理:
 氧化碱砂白 高端氧化金
 喷涂沙纹黑 高端氧化黑
 普通氧化银 高端氧化灰
 进口 PC 罩:
 乳白色 磨砂面 平光面 蜂窝状
 黑色 平光面 蜂窝状
 G0.12



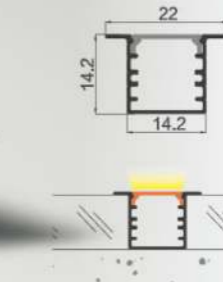

LINE LIGHT PROFILE



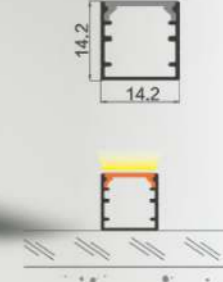
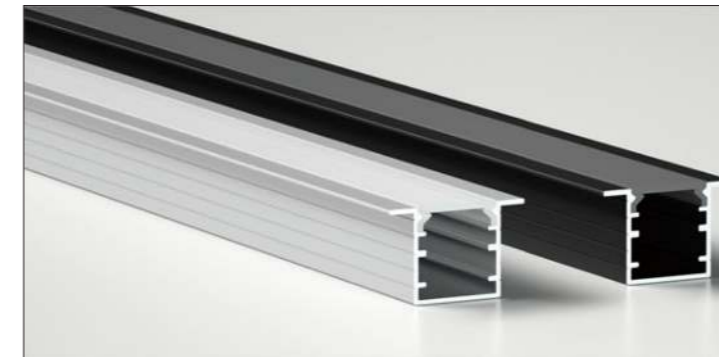
下单名称
order name **XTD-025**
 产品名称
product name 线条灯铝材 15*15 无边
 壁厚: 0.7mm
 表面处理:
 氧化碱砂白 喷涂沙纹黑
 普通氧化银
 进口 PC 罩:
 乳白色 磨砂面 平光面
 黑色 平光面
 G0.096

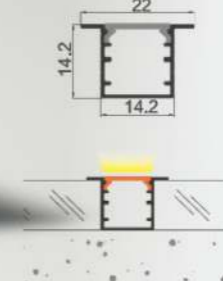

下单名称
order name **XTD-026**
 产品名称
product name 线条灯铝材 15*15 带边
 壁厚: 0.7mm
 表面处理:
 氧化碱砂白 喷涂沙纹黑
 普通氧化银
 进口 PC 罩:
 乳白色 磨砂面 平光面
 黑色 平光面
 G0.11


下单名称
order name **XTD-027**
 产品名称
product name 线条灯铝材 1515 无边
 壁厚: 0.6mm
 表面处理:
 氧化碱砂白 喷涂沙纹黑
 普通氧化银
 进口 PC 罩:
 乳白色 磨砂面 平光面
 黑色 平光面
 G0.092


下单名称
order name **XTD-028**
 产品名称
product name 线条灯铝材 1515 带边
 壁厚: 0.6mm
 表面处理:
 氧化碱砂白 喷涂沙纹黑
 普通氧化银
 进口 PC 罩:
 乳白色 磨砂面 平光面
 黑色 平光面
 G0.107

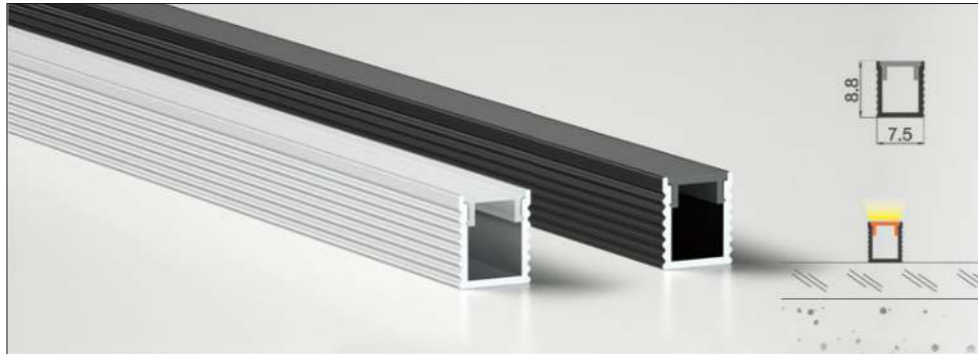
下单名称
order name **XTD-029**
 产品名称
product name 线条灯铝材 1515 无边
 壁厚: 1.0mm
 表面处理:
 氧化碱砂白 喷涂沙纹黑
 普通氧化银
 进口 PC 罩:
 乳白色 磨砂面 平光面 蜂窝状
 黑色 平光面 蜂窝状
 G0.142



LINE LIGHT PROFILE




下单名称
order name | **XTD-030**
 产品名称
product name | 线条灯铝材 1515 带边
 壁厚: 1.0mm
 表面处理:
 氧化碱砂白 喷涂沙纹黑
 普通氧化银
 进口 PC 罩:
 乳白色 磨砂面 平光面 蜂窝状
 黑色 平光面 蜂窝状
 G0.163




下单名称
order name | **XTD-031**
 产品名称
product name | 线条灯铝材 8*9 无边
 壁厚: 0.7mm
 表面处理:
 氧化碱砂白 喷涂沙纹黑
 普通氧化银
 进口 PC 罩:
 乳白色 磨砂面 平光面
 黑色 平光面
 G0.046



下单名称
order name | **XTD-032**
 产品名称
product name | 线条灯铝材 8*9 带边
 壁厚: 0.7mm
 表面处理:
 氧化碱砂白 喷涂沙纹黑
 普通氧化银
 进口 PC 罩:
 乳白色 磨砂面 平光面
 黑色 平光面
 G0.057




下单名称
order name | **XTD-033**
 产品名称
product name | 线条灯铝材 12*10 无边
 壁厚: 0.7mm
 表面处理:
 氧化碱砂白 喷涂沙纹黑
 普通氧化银
 进口 PC 罩:
 乳白色 磨砂面 平光面
 黑色 平光面
 G0.65




下单名称
order name | **XTD-034**
 产品名称
product name | 线条灯铝材 12*10 带边
 壁厚: 0.7mm
 表面处理:
 氧化碱砂白 喷涂沙纹黑
 普通氧化银
 进口 PC 罩:
 乳白色 磨砂面 平光面
 黑色 平光面
 G0.072


LINE LIGHT PROFILE




下单名称
order name | **XTD-035**
 产品名称
product name | 线条灯铝材 12*10 无边
 壁厚: 1.2mm
 表面处理:
 氧化碱砂白 喷涂沙纹黑
 普通氧化银
 进口 PC 罩:
 乳白色 磨砂面 平光面
 黑色 平光面
 G0.093



下单名称
order name | **XTD-036**
 产品名称
product name | 线条灯铝材 12*10 无边
 壁厚: 1.2mm
 表面处理:
 氧化碱砂白 喷涂沙纹黑
 普通氧化银
 进口 PC 罩:
 乳白色 磨砂面 平光面
 黑色 平光面
 G0.113



下单名称
order name | **XTD-037**
 产品名称
product name | 线条灯铝材 1407 无边
 壁厚: 0.5mm
 表面处理:
 氧化碱砂白 喷涂沙纹黑
 普通氧化银
 进口 PC 罩:
 乳白色 磨砂面 平光面
 黑色 平光面
 G0.042




下单名称
order name | **XTD-038**
 产品名称
product name | 线条灯铝材 1407 无边
 壁厚: 0.65mm
 表面处理:
 氧化碱砂白 喷涂沙纹黑
 普通氧化银
 进口 PC 罩:
 乳白色 磨砂面 平光面
 黑色 平光面
 G0.05




下单名称
order name | **XTD-039**
 产品名称
product name | 线条灯铝材 16*7 无边
 壁厚: 0.7mm
 表面处理:
 氧化碱砂白 喷涂沙纹黑
 普通氧化银
 进口 PC 罩:
 乳白色 磨砂面 平光面
 黑色 平光面
 G0.068

LINE LIGHT PROFILE



下单名称
order name **XTD-040**
 产品名称
product name 线条灯铝材 16*7 带边
 壁厚: 0.7mm
 表面处理:
 氧化碱砂白 喷涂沙纹黑
 普通氧化银
 进口 PC 罩:
 乳白色 磨砂面 平光面
 黑色 平光面
 G0.071




下单名称
order name **XTD-041**
 产品名称
product name 线条灯铝材 1507 带边
 壁厚: 0.7mm
 表面处理:
 氧化碱砂白 喷涂沙纹黑
 普通氧化银
 进口 PC 罩:
 乳白色 磨砂面 平光面
 黑色 平光面
 G0.055



下单名称
order name **XTD-042**
 产品名称
product name 线条灯铝材 1710 带边
 壁厚: 1.2mm
 表面处理:
 氧化碱砂白 喷涂沙纹黑
 普通氧化银
 进口 PC 罩:
 乳白色 磨砂面 平光面
 黑色 平光面
 G0.113




下单名称
order name **XTD-043**
 产品名称
product name 线条灯铝材 17*7 无边
 壁厚: 0.7mm
 表面处理:
 氧化碱砂白 喷涂沙纹黑
 普通氧化银
 进口 PC 罩:
 乳白色 磨砂面 平光面
 黑色 平光面
 G0.066




下单名称
order name **XTD-044**
 产品名称
product name 线条灯铝材 17*7 带边
 壁厚: 0.7mm
 表面处理:
 氧化碱砂白 喷涂沙纹黑
 普通氧化银
 进口 PC 罩:
 乳白色 磨砂面 平光面
 黑色 平光面
 G0.06


LINE LIGHT PROFILE




下单名称
order name **XTD-045**
 产品名称
product name 线条灯铝材 1707 无边
 壁厚: 0.7mm
 表面处理:
 氧化碱砂白 喷涂沙纹黑
 普通氧化银
 进口 PC 罩:
 乳白色 磨砂面 平光面
 黑色 平光面
 G0.095




下单名称
order name **XTD-046**
 产品名称
product name 线条灯铝材 1707 带边
 壁厚: 0.7mm
 表面处理:
 氧化碱砂白 喷涂沙纹黑
 普通氧化银
 进口 PC 罩:
 乳白色 磨砂面 平光面
 黑色 平光面
 G0.11



下单名称
order name **XTD-047**
 产品名称
product name 线条灯铝材 17*7 无边
 壁厚: 1.0mm
 表面处理:
 氧化碱砂白 喷涂沙纹黑
 普通氧化银
 进口 PC 罩:
 乳白色 磨砂面 平光面
 黑色 平光面
 G0.101

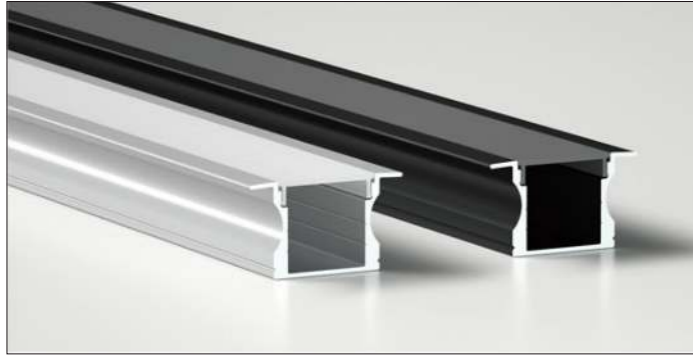
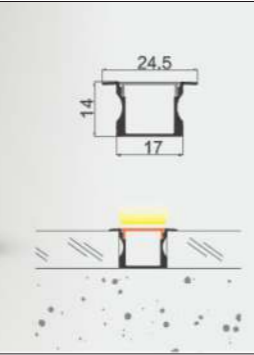


下单名称
order name **XTD-048**
 产品名称
product name 线条灯铝材 17*7 带边
 壁厚: 1.0mm
 表面处理:
 氧化碱砂白 喷涂沙纹黑
 普通氧化银
 进口 PC 罩:
 乳白色 磨砂面 平光面
 黑色 平光面
 G0.122


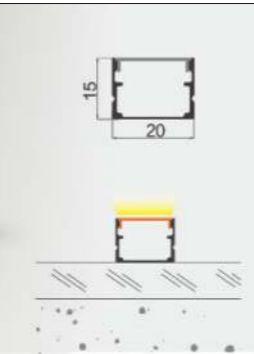


下单名称
order name **XTD-049**
 产品名称
product name 线条灯铝材 17*14 无边
 壁厚: 0.75mm
 表面处理:
 氧化碱砂白 喷涂沙纹黑
 普通氧化银
 进口 PC 罩:
 乳白色 磨砂面 平光面
 黑色 平光面
 G0.13


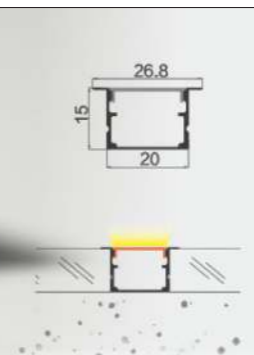
LINE LIGHT PROFILE


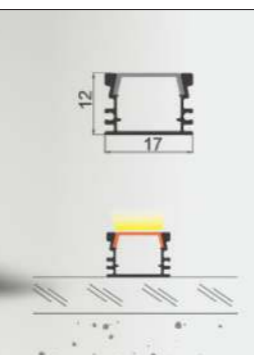
下单名称
order name | **XTD-050**
 产品名称
product name | 线条灯铝材 17*14 带边
 壁厚: 0.75mm
 表面处理:
 氧化碱砂白 喷涂沙纹黑
 普通氧化银
 进口 PC 罩:
 乳白色 磨砂面 平光面
 黑色 平光面
 G0.14

下单名称
order name | **XTD-051**
 产品名称
product name | 线条灯铝材 20*15 无边
 壁厚: 1.0mm
 表面处理:
 氧化碱砂白 喷涂沙纹黑
 普通氧化银
 进口 PC 罩:
 乳白色 磨砂面 平光面
 黑色 平光面
 G0.12

下单名称
order name | **XTD-052**
 产品名称
product name | 线条灯铝材 20*15 带边
 壁厚: 1.0mm
 表面处理:
 氧化碱砂白 喷涂沙纹黑
 普通氧化银
 进口 PC 罩:
 乳白色 磨砂面 平光面
 黑色 平光面
 G0.13


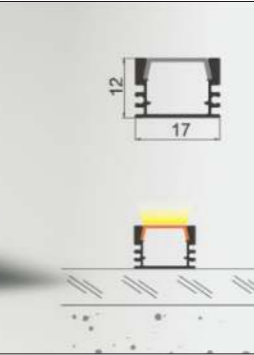



下单名称
order name | **XTD-053**
 产品名称
product name | 线条灯铝材 1712 无边
 壁厚: 0.7mm
 表面处理:
 氧化碱砂白 喷涂沙纹黑
 普通氧化银
 进口 PC 罩:
 乳白色 磨砂面 平光面
 黑色 平光面
 G0.11


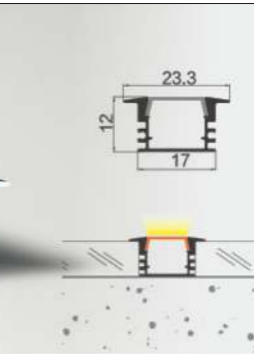



下单名称
order name | **XTD-054**
 产品名称
product name | 线条灯铝材 1712 带边
 壁厚: 0.7mm
 表面处理:
 氧化碱砂白 喷涂沙纹黑
 普通氧化银
 进口 PC 罩:
 乳白色 磨砂面 平光面
 黑色 平光面
 G0.11


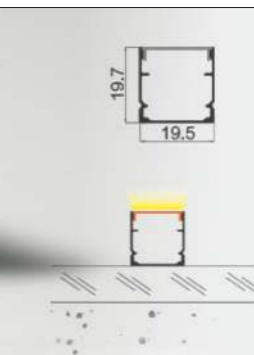
LINE LIGHT PROFILE


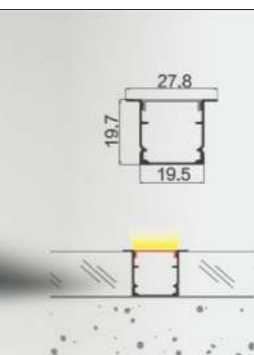
下单名称
order name | **XTD-055**
 产品名称
product name | 线条灯铝材 1712 无边
 壁厚: 0.7mm
 表面处理:
 氧化碱砂白 喷涂沙纹黑
 普通氧化银
 进口 PC 罩:
 乳白色 磨砂面 平光面
 黑色 平光面
 G0.128


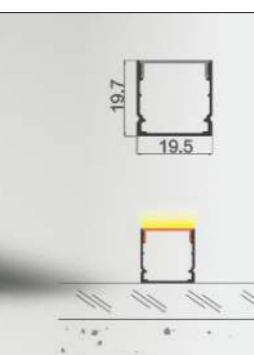
下单名称
order name | **XTD-056**
 产品名称
product name | 线条灯铝材 1712 带边
 壁厚: 0.7mm
 表面处理:
 氧化碱砂白 喷涂沙纹黑
 普通氧化银
 进口 PC 罩:
 乳白色 磨砂面 平光面
 黑色 平光面
 G0.14

下单名称
order name | **XTD-057**
 产品名称
product name | 线条灯铝材 20*20 无边
 壁厚: 0.6mm
 表面处理:
 氧化碱砂白 喷涂沙纹黑
 普通氧化银
 进口 PC 罩:
 乳白色 磨砂面 平光面
 黑色 平光面
 G0.13





下单名称
order name | **XTD-058**
 产品名称
product name | 线条灯铝材 20*20 带边
 壁厚: 0.6mm
 表面处理:
 氧化碱砂白 喷涂沙纹黑
 普通氧化银
 进口 PC 罩:
 乳白色 磨砂面 平光面
 黑色 平光面
 G0.15





下单名称
order name | **XTD-059**
 产品名称
product name | 线条灯铝材 2020 无边
 壁厚: 0.75mm
 表面处理:
 氧化碱砂白 喷涂沙纹黑
 普通氧化银
 进口 PC 罩:
 乳白色 磨砂面 平光面
 黑色 平光面
 G0.137


LINE LIGHT PROFILE




下单名称 | **XTD-060**
 order name
 产品名称 | 线条灯铝材 20*20 带边
 product name
 壁厚: 0.75mm
 表面处理:
 氧化碱砂白 喷涂沙纹黑
 普通氧化银
 进口 PC 罩:
 乳白色 磨砂面 平光面
 黑色 平光面
 G0.151




下单名称 | **XTD-061**
 order name
 产品名称 | 线条灯铝材 23*10 无边
 product name
 壁厚: 1.0mm
 表面处理:
 氧化碱砂白 喷涂沙纹黑
 普通氧化银
 进口 PC 罩:
 乳白色 磨砂面 平光面
 黑色 平光面
 G0.103



下单名称 | **XTD-062**
 order name
 产品名称 | 线条灯铝材 23*10 带边
 product name
 壁厚: 1.0mm
 表面处理:
 氧化碱砂白 喷涂沙纹黑
 普通氧化银
 进口 PC 罩:
 乳白色 磨砂面 平光面
 黑色 平光面
 G0.115




下单名称 | **XTD-063**
 order name
 产品名称 | 线条灯铝材 25*15 无边
 product name
 壁厚: 0.8mm
 表面处理:
 氧化碱砂白 喷涂沙纹黑
 普通氧化银
 进口 PC 罩:
 乳白色 磨砂面 平光面
 黑色 平光面
 G0.134




下单名称 | **XTD-064**
 order name
 产品名称 | 线条灯铝材 25*15 带边
 product name
 壁厚: 0.8mm
 表面处理:
 氧化碱砂白 喷涂沙纹黑
 普通氧化银
 进口 PC 罩:
 乳白色 磨砂面 平光面
 黑色 平光面
 G0.15


LINE LIGHT PROFILE




下单名称 | **XTD-065**
 order name
 产品名称 | 线条灯铝材 30*10 无边
 product name
 壁厚: 0.7mm
 表面处理:
 氧化碱砂白 喷涂沙纹黑
 普通氧化银
 进口 PC 罩:
 乳白色 磨砂面 平光面
 黑色 平光面
 G0.102




下单名称 | **XTD-066**
 order name
 产品名称 | 线条灯铝材 30*10 带边
 product name
 壁厚: 0.7mm
 表面处理:
 氧化碱砂白 喷涂沙纹黑
 普通氧化银
 进口 PC 罩:
 乳白色 磨砂面 平光面
 黑色 平光面
 G0.13



下单名称 | **XTD-067**
 order name
 产品名称 | 线条灯铝材 30*10 无边
 product name
 壁厚: 0.8mm
 表面处理:
 氧化碱砂白 喷涂沙纹黑
 普通氧化银
 进口 PC 罩:
 乳白色 磨砂面 平光面
 黑色 平光面
 G0.12




下单名称 | **XTD-068**
 order name
 产品名称 | 线条灯铝材 30*10 带边
 product name
 壁厚: 0.8mm
 表面处理:
 氧化碱砂白 喷涂沙纹黑
 普通氧化银
 进口 PC 罩:
 乳白色 磨砂面 平光面
 黑色 平光面
 G0.144




下单名称 | **XTD-069**
 order name
 产品名称 | 线条灯铝材 30*20 无边
 product name
 壁厚: 0.6mm
 表面处理:
 氧化碱砂白 喷涂沙纹黑
 普通氧化银
 进口 PC 罩:
 乳白色 磨砂面 平光面
 黑色 平光面
 G0.15


LINE LIGHT PROFILE



下单名称 | **XTD-070**
 order name
 产品名称 | 线条灯铝材 3020 带边
 product name
 壁厚: 0.6mm
 表面处理:
 氧化碱砂白 喷涂沙纹黑
 普通氧化银
 进口 PC 罩:
 乳白色 磨砂面 平光面
 黑色 平光面
 G0.177




下单名称 | **XTD-071**
 order name
 产品名称 | 线条灯铝材 30*20 无边
 product name
 壁厚: 0.7mm
 表面处理:
 氧化碱砂白 喷涂沙纹黑
 普通氧化银
 进口 PC 罩:
 乳白色 磨砂面 平光面
 黑色 平光面
 G0.16



下单名称 | **XTD-072**
 order name
 产品名称 | 线条灯铝材 30*20 带边
 product name
 壁厚: 0.7mm
 表面处理:
 氧化碱砂白 喷涂沙纹黑
 普通氧化银
 进口 PC 罩:
 乳白色 磨砂面 平光面
 黑色 平光面
 G0.2




下单名称 | **XTD-073**
 order name
 产品名称 | 线条灯铝材 40*20 无边
 product name
 壁厚: 0.7mm
 表面处理:
 氧化碱砂白 喷涂沙纹黑
 普通氧化银
 进口 PC 罩:
 乳白色 磨砂面 平光面
 黑色 平光面
 G0.21




下单名称 | **XTD-074**
 order name
 产品名称 | 线条灯铝材 40*20 带边
 product name
 壁厚: 0.7mm
 表面处理:
 氧化碱砂白 喷涂沙纹黑
 普通氧化银
 进口 PC 罩:
 乳白色 磨砂面 平光面
 黑色 平光面
 G0.24


LINE LIGHT PROFILE




下单名称 | **XTD-075**
 order name
 产品名称 | 线条灯铝材 4020 无边
 product name
 壁厚: 0.8mm
 表面处理:
 氧化碱砂白 喷涂沙纹黑
 普通氧化银
 进口 PC 罩:
 乳白色 磨砂面 平光面
 黑色 平光面
 G0.226




下单名称 | **XTD-076**
 order name
 产品名称 | 线条灯铝材 4020 带边
 product name
 壁厚: 0.8mm
 表面处理:
 氧化碱砂白 喷涂沙纹黑
 普通氧化银
 进口 PC 罩:
 乳白色 磨砂面 平光面
 黑色 平光面
 G0.26



下单名称 | **XTD-077**
 order name
 产品名称 | 线条灯铝材 50*20 无边
 product name
 壁厚: 0.7mm
 表面处理:
 氧化碱砂白 喷涂沙纹黑
 普通氧化银
 进口 PC 罩:
 乳白色 磨砂面 平光面
 黑色 平光面
 G0.202




下单名称 | **XTD-078**
 order name
 产品名称 | 线条灯铝材 50*20 带边
 product name
 壁厚: 0.7mm
 表面处理:
 氧化碱砂白 喷涂沙纹黑
 普通氧化银
 进口 PC 罩:
 乳白色 磨砂面 平光面
 黑色 平光面
 G0.23




下单名称 | **XTD-079**
 order name
 产品名称 | 线条灯铝材 5020 无边
 product name
 壁厚: 0.8mm
 表面处理:
 氧化碱砂白 喷涂沙纹黑
 普通氧化银
 进口 PC 罩:
 乳白色 磨砂面 平光面
 黑色 平光面
 G0.237


LINE LIGHT PROFILE




下单名称 order name **XTD-080**
 产品名称 product name 线条灯铝材 5020 带边
 壁厚: 0.8mm
 表面处理:
 氧化碱砂白 喷涂沙纹黑
 普通氧化银
 进口 PC 罩:
 乳白色 磨砂面 平光面
 黑色 平光面
 G0.27



下单名称 order name **XTD-081**
 产品名称 product name 线条灯铝材 50*10 带边
 壁厚: 1.0mm
 表面处理:
 氧化碱砂白 喷涂沙纹黑
 普通氧化银
 进口 PC 罩:
 乳白色 磨砂面 平光面
 黑色 平光面
 G0.244



下单名称 order name **XTD-209**
 产品名称 product name 线条灯铝材 20*20 无边
 壁厚: 0.8mm
 表面处理:
 氧化碱砂白 高端氧化金
 喷涂沙纹黑 高端氧化黑
 普通氧化银 高端氧化灰
 进口 PC 罩:
 乳白色 磨砂面 平光面
 黑色 平光面
 G0.137




下单名称 order name **XTD-210**
 产品名称 product name 线条灯铝材 20*20 带边
 壁厚: 0.8mm
 表面处理:
 氧化碱砂白 高端氧化金
 喷涂沙纹黑 高端氧化黑
 普通氧化银 高端氧化灰
 进口 PC 罩:
 乳白色 磨砂面 平光面
 黑色 平光面
 G0.154



下单名称 order name **XTD-008**
 产品名称 product name 线条灯铝材 10*10 带边
 壁厚: 1.2mm
 表面处理:
 氧化碱砂白 高端氧化金
 喷涂沙纹黑 高端氧化黑
 普通氧化银 高端氧化灰
 进口 PC 罩:
 乳白色 磨砂面 平光面 蜂窝状
 黑色 平光面 蜂窝状
 G0.09

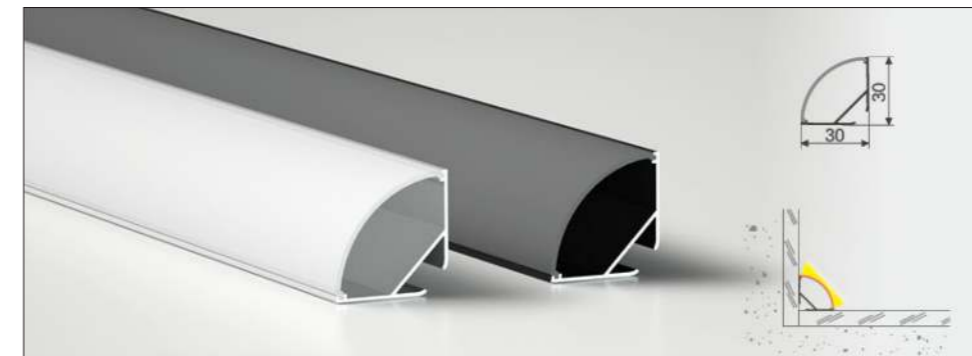
LINE LIGHT PROFILE



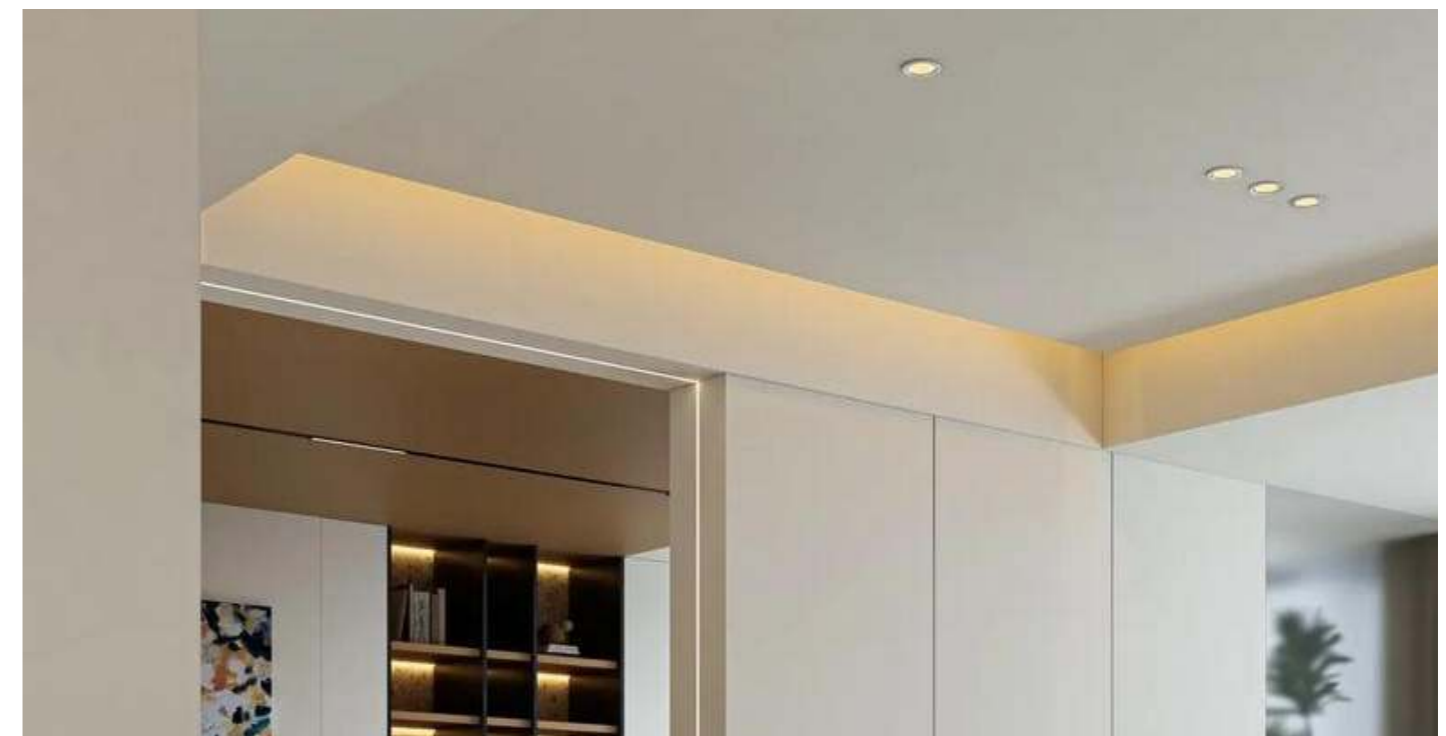
下单名称 order name **XTD-212/213**
 产品名称 product name 线条灯铝材 70 顶角线
 壁厚: 1.2mm
 表面处理:
 喷涂沙纹白 其他颜色可定制
 喷涂沙纹黑
 进口 PC 罩:
 乳白色 平光面
 黑色 平光面
 G0.78



下单名称 order name **XTD-214**
 产品名称 product name 线条灯铝材 95 顶角线
 壁厚: 1.5mm
 表面处理:
 喷涂沙纹白 其他颜色可定制
 喷涂沙纹黑
 进口 PC 罩:
 乳白色 平光面
 黑色 平光面
 G0.94



下单名称 order name **XTD-220**
 产品名称 product name 线条灯铝材 30 顶角线
 壁厚: 0.8mm
 表面处理:
 喷涂沙纹白 其他颜色可定制
 喷涂沙纹黑
 进口 PC 罩:
 乳白色 平光面
 黑色 平光面
 G0.16



DECORATIVE EDGE LINE LIGHT

下单名称 | **XTD-082**
 order name
 产品名称 | 线条灯花边 13 上双花边 - 经济款
 product name
 壁厚: 1.0 mm
 表面处理:
 氧化碱砂白 喷涂沙纹黑
 普通氧化银
 进口 PC 罩:
 乳白色 磨砂面 平光面 蜂窝状
 黑色 平光面 蜂窝状
 G0.13

下单名称 | **XTD-083**
 order name
 产品名称 | 线条灯花边 13 上双花边 - 经济款
 product name
 壁厚: 1.0 mm
 表面处理:
 氧化碱砂白 喷涂沙纹黑
 普通氧化银
 进口 PC 罩:
 乳白色 磨砂面 平光面 蜂窝状
 黑色 平光面 蜂窝状
 G0.13

下单名称 | **XTD-084**
 order name
 产品名称 | 线条灯花边 15 上双花边 - 经济款
 product name
 壁厚: 1.0 mm
 表面处理:
 氧化碱砂白 喷涂沙纹黑
 普通氧化银
 进口 PC 罩:
 乳白色 磨砂面 平光面 蜂窝状
 黑色 平光面 蜂窝状
 G0.14

下单名称 | **XTD-085**
 order name
 产品名称 | 线条灯花边 15 上双花边 - 经济款
 product name
 壁厚: 1.0 mm
 表面处理:
 氧化碱砂白 喷涂沙纹黑
 普通氧化银
 进口 PC 罩:
 乳白色 磨砂面 平光面 蜂窝状
 黑色 平光面 蜂窝状
 G0.14

下单名称 | **XTD-086**
 order name
 产品名称 | 线条灯花边 20 上双花边 - 经济款
 product name
 壁厚: 1.0 mm
 表面处理:
 氧化碱砂白 喷涂沙纹黑
 普通氧化银
 进口 PC 罩:
 乳白色 磨砂面 平光面 蜂窝状
 黑色 平光面 蜂窝状
 G0.155

DECORATIVE EDGE LINE LIGHT

下单名称 | **XTD-087**
 order name
 产品名称 | 线条灯花边 20 上双花边 - 经济款
 product name
 壁厚: 1.0 mm
 表面处理:
 氧化碱砂白 喷涂沙纹黑
 普通氧化银
 进口 PC 罩:
 乳白色 磨砂面 平光面 蜂窝状
 黑色 平光面 蜂窝状
 G0.155

下单名称 | **XTD-088**
 order name
 产品名称 | 线条灯花边 10 上双花边 - 常规款
 product name
 壁厚: 1.0 mm
 表面处理:
 氧化碱砂白 喷涂沙纹黑
 普通氧化银
 进口 PC 罩:
 乳白色 磨砂面 平光面 蜂窝状
 黑色 平光面 蜂窝状
 G0.17

下单名称 | **XTD-089**
 order name
 产品名称 | 线条灯花边 10 下双花边 - 常规款
 product name
 壁厚: 1.0 mm
 表面处理:
 氧化碱砂白 喷涂沙纹黑
 普通氧化银
 进口 PC 罩:
 乳白色 磨砂面 平光面 蜂窝状
 黑色 平光面 蜂窝状
 G0.17

下单名称 | **XTD-090**
 order name
 产品名称 | 线条灯花边 10 上单花边 - 常规款
 product name
 壁厚: 1.0 mm
 表面处理:
 氧化碱砂白 喷涂沙纹黑
 普通氧化银
 进口 PC 罩:
 乳白色 磨砂面 平光面 蜂窝状
 黑色 平光面 蜂窝状
 G0.13

下单名称 | **XTD-091**
 order name
 产品名称 | 线条灯花边 10 下单花边 - 常规款
 product name
 壁厚: 1.0 mm
 表面处理:
 氧化碱砂白 喷涂沙纹黑
 普通氧化银
 进口 PC 罩:
 乳白色 磨砂面 平光面 蜂窝状
 黑色 平光面 蜂窝状
 G0.13

DECORATIVE EDGE LINE LIGHT

下单名称 order name **XTD-100**
产品名称 product name 线条灯花边 20 上双花边批灰 - 常规款
 壁厚: 1.0 mm
 表面处理:
 氧化碱砂白 喷涂沙纹黑
 普通氧化银
 进口 PC 罩:
 乳白色 磨砂面 平光面 蜂窝状
 黑色 平光面 蜂窝状
 G0.23

下单名称 order name **XTD-104**
产品名称 product name 线条灯花边 30 上双花边批灰 - 常规款
 壁厚: 1.0 mm
 表面处理:
 氧化碱砂白 喷涂沙纹黑
 普通氧化银
 进口 PC 罩:
 乳白色 磨砂面 平光面 蜂窝状
 黑色 平光面 蜂窝状
 G0.25

下单名称 order name **XTD-105**
产品名称 product name 线条灯花边 30 下双花边预埋 - 常规款
 壁厚: 1.0 mm
 表面处理:
 氧化碱砂白 喷涂沙纹黑
 普通氧化银
 进口 PC 罩:
 乳白色 磨砂面 平光面 蜂窝状
 黑色 平光面 蜂窝状
 G0.26

下单名称 order name **XTD-110**
产品名称 product name 线条灯花边 15 上双花边批灰 - 豪华款
 壁厚: 1.3 mm
 表面处理:
 氧化碱砂白 喷涂沙纹黑
 普通氧化银
 进口 PC 罩:
 乳白色 磨砂面 平光面 蜂窝状
 黑色 平光面 蜂窝状
 G0.25

下单名称 order name **XTD-112**
产品名称 product name 线条灯花边 15 上单花边批灰 - 豪华款
 壁厚: 1.3 mm
 表面处理:
 氧化碱砂白 喷涂沙纹黑
 普通氧化银
 进口 PC 罩:
 乳白色 磨砂面 平光面 蜂窝状
 黑色 平光面 蜂窝状
 G0.21

DECORATIVE EDGE LINE LIGHT

下单名称 order name **XTD-113**
产品名称 product name 线条灯花边 15 下单花边预埋 - 豪华款
 壁厚: 1.3 mm
 表面处理:
 氧化碱砂白 喷涂沙纹黑
 普通氧化银
 进口 PC 罩:
 乳白色 磨砂面 平光面 蜂窝状
 黑色 平光面 蜂窝状
 G0.2

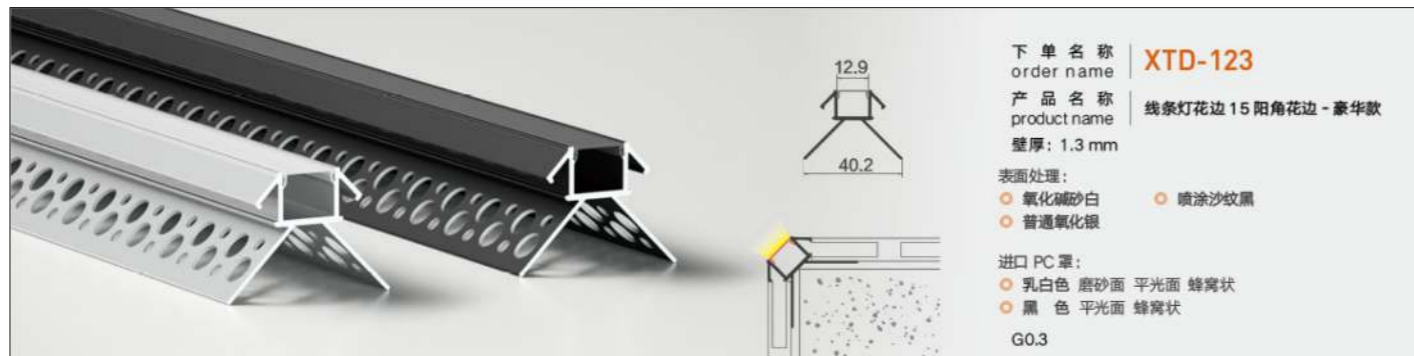
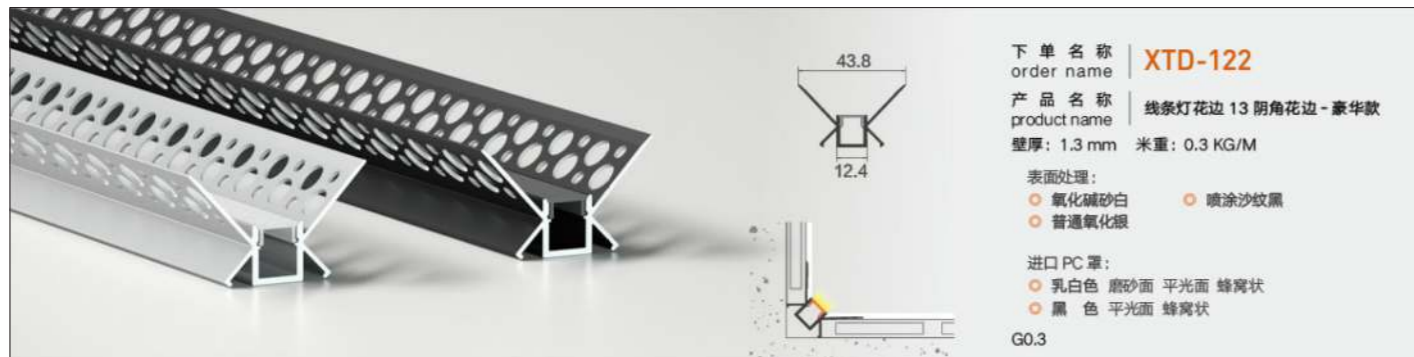
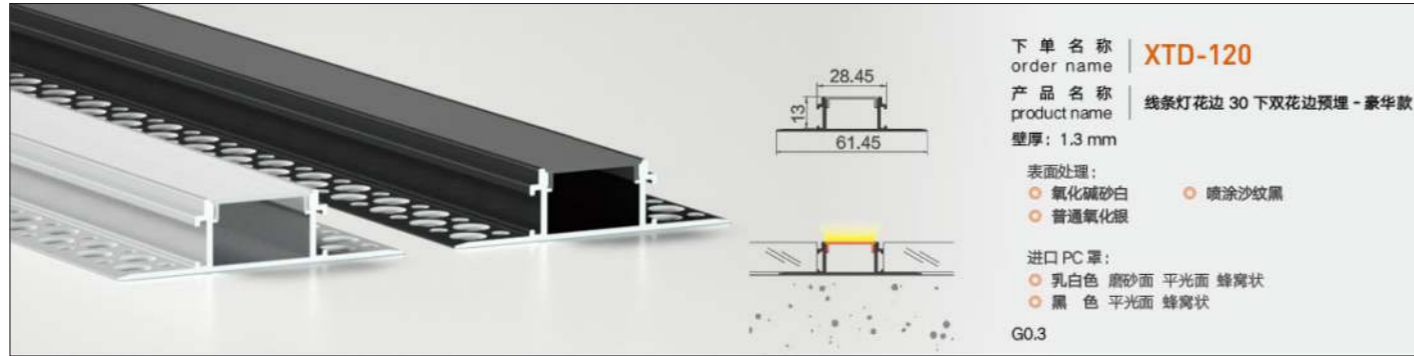
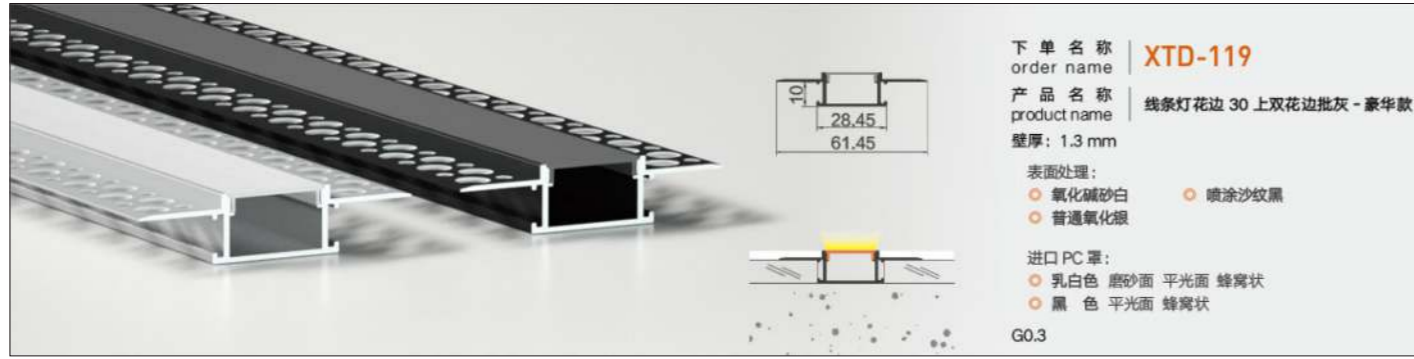
下单名称 order name **XTD-114**
产品名称 product name 线条灯花边 15 花边侧发光 - 豪华款
 壁厚: 1.3 mm
 表面处理:
 氧化碱砂白 喷涂沙纹白
 普通氧化银 喷涂沙纹黑
 进口 PC 罩:
 乳白色 磨砂面 平光面 蜂窝状
 黑色 平光面 蜂窝状
 G0.24

下单名称 order name **XTD-115**
产品名称 product name 线条灯花边 20 上双花边批灰 - 豪华款
 壁厚: 1.3 mm
 表面处理:
 氧化碱砂白 喷涂沙纹黑
 普通氧化银
 进口 PC 罩:
 乳白色 磨砂面 平光面 蜂窝状
 黑色 平光面 蜂窝状
 G0.27

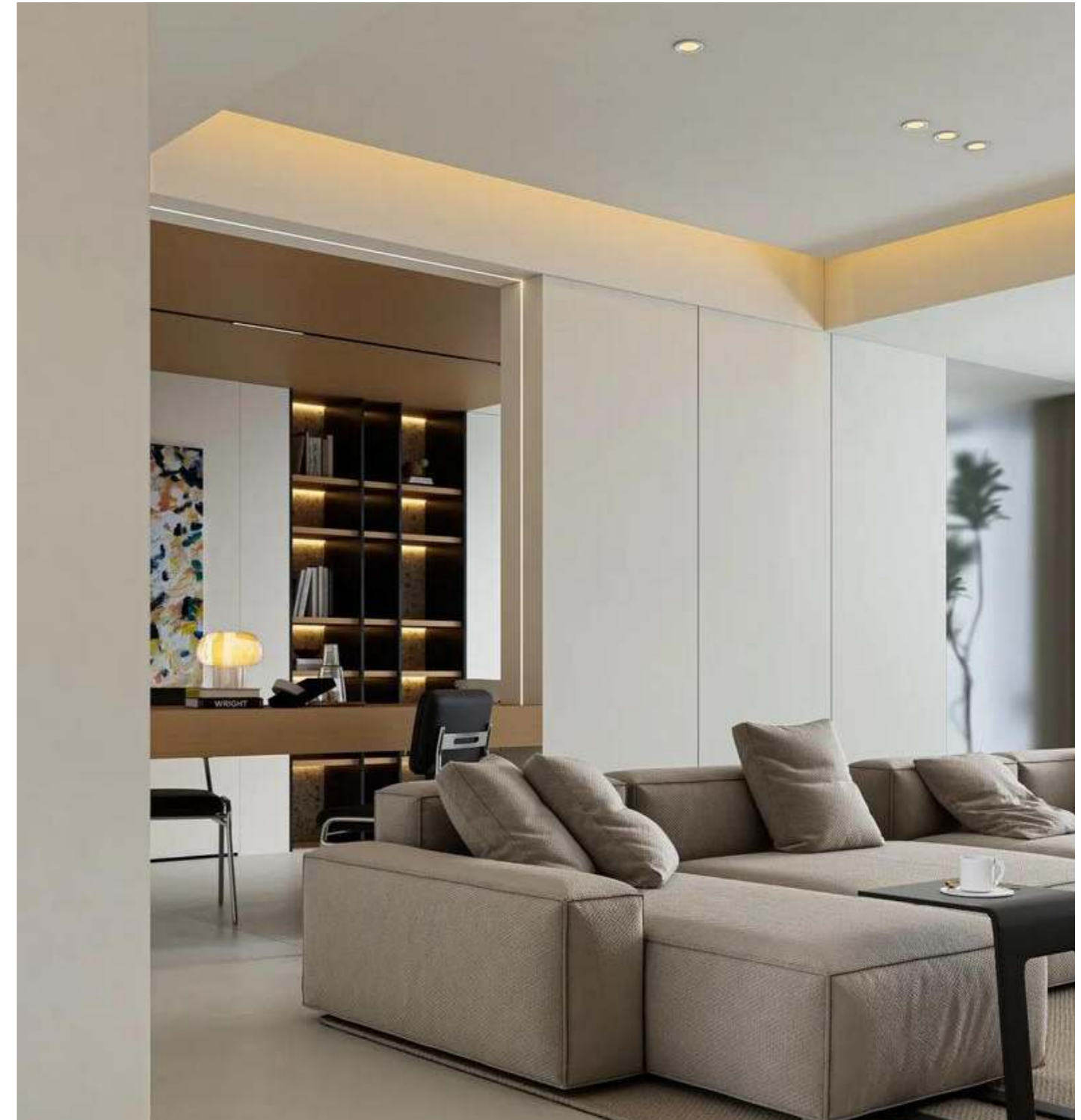
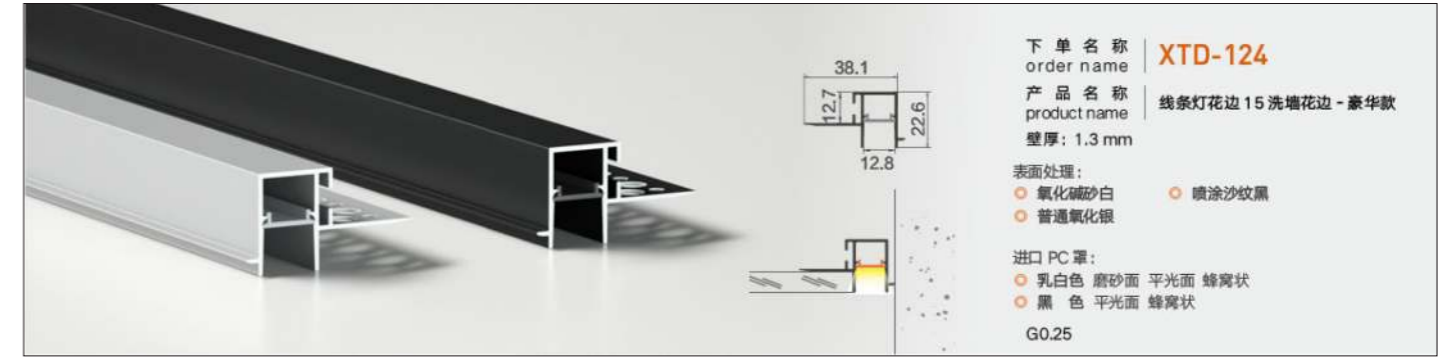
下单名称 order name **XTD-117**
产品名称 product name 线条灯花边 20 上单花边批灰 - 豪华款
 壁厚: 1.3 mm
 表面处理:
 氧化碱砂白 喷涂沙纹黑
 普通氧化银
 进口 PC 罩:
 乳白色 磨砂面 平光面 蜂窝状
 黑色 平光面 蜂窝状
 G0.23

下单名称 order name **XTD-118**
产品名称 product name 线条灯花边 20 下单花边预埋 - 豪华款
 壁厚: 1.3 mm
 表面处理:
 氧化碱砂白 喷涂沙纹黑
 普通氧化银
 进口 PC 罩:
 乳白色 磨砂面 平光面 蜂窝状
 黑色 平光面 蜂窝状
 G0.23

DECORATIVE EDGE LINE LIGHT



DECORATIVE EDGE LINE LIGHT



REFLECTIVE TROUGH

下单名称
order name **XTD-125**
 产品名称
product name 线条灯回光槽铝材-回光槽
 壁厚: 1.3mm
 表面处理:
 喷涂沙纹白 其他颜色可定制
 喷涂沙纹黑
 进口 PC 罩:
 乳白色 平光面
 黑色 平光面
 G1.1

下单名称
order name **XTD-126**
 产品名称
product name 线条灯回光槽铝材-15°15带边
 壁厚: 1.3mm
 表面处理:
 喷涂沙纹白 其他颜色可定制
 喷涂沙纹黑
 进口 PC 罩:
 乳白色 平光面
 黑色 平光面
 G0.78

下单名称
order name **XTD-127**
 产品名称
product name 线条灯回光槽铝材-回光槽
 壁厚: 1.3mm
 表面处理:
 喷涂沙纹白 其他颜色可定制
 喷涂沙纹黑
 进口 PC 罩:
 乳白色 平光面
 黑色 平光面
 G0.55

下单名称
order name **XTD-128**
 产品名称
product name 线条灯回光槽铝材-回光槽
 壁厚: 1.3mm
 表面处理:
 喷涂沙纹白 其他颜色可定制
 喷涂沙纹黑
 进口 PC 罩:
 乳白色 平光面
 黑色 平光面
 G0.63

下单名称
order name **XTD-129**
 产品名称
product name 线条灯回光槽铝材-回光槽
 壁厚: 1.3mm
 表面处理:
 喷涂沙纹白 其他颜色可定制
 喷涂沙纹黑
 进口 PC 罩:
 乳白色 平光面
 黑色 平光面
 G0.64

REFLECTIVE TROUGH

下单名称
order name **XTD-130**
 产品名称
product name 线条灯回光槽铝材-回光槽
 壁厚: 1.4mm
 表面处理:
 喷涂沙纹白 其他颜色可定制
 喷涂沙纹黑
 进口 PC 罩:
 乳白色 平光面
 黑色 平光面
 G1.11

下单名称
order name **XTD-131**
 产品名称
product name 线条灯回光槽铝材-回光槽
 壁厚: 1.5mm
 表面处理:
 喷涂沙纹白 其他颜色可定制
 喷涂沙纹黑
 进口 PC 罩:
 乳白色 平光面
 黑色 平光面
 G0.28

下单名称
order name **XTD-132**
 产品名称
product name 线条灯回光槽铝材-回光槽
 壁厚: 1.5mm
 表面处理:
 喷涂沙纹白 其他颜色可定制
 喷涂沙纹黑
 进口 PC 罩:
 乳白色 平光面
 黑色 平光面
 G0.42

下单名称
order name **XTD-133**
 产品名称
product name 线条灯回光槽铝材-1616花边
 壁厚: 0.6mm
 表面处理:
 氧化碱砂白 喷涂沙纹黑
 普通氧化银 其他颜色可定制
 进口 PC 罩:
 乳白色 平光面
 黑色 平光面
 G0.085

下单名称
order name **XTD-134**
 产品名称
product name 线条灯回光槽铝材-回光槽
 壁厚: 1.2mm
 表面处理:
 喷涂沙纹白 其他颜色可定制
 喷涂沙纹黑
 进口 PC 罩:
 乳白色 平光面
 黑色 平光面
 G0.35

REFLECTIVE TROUGH

下单名称
order name | **XTD-135**
产品名称
product name | 线条灯回光槽铝材 - 回光槽
壁厚: 0.6mm
表面处理:
 喷涂沙纹白 其他颜色可定制
 喷涂沙纹黑
进口 PC 罩:
 乳白色 平光面
 黑色 平光面
G0.6

下单名称
order name | **XTD-136**
产品名称
product name | 线条灯回光槽铝材 - 8 公分顶角线
壁厚: 0.6mm
表面处理:
 喷涂沙纹白 其他颜色可定制
 喷涂沙纹黑
进口 PC 罩:
 乳白色 平光面
 黑色 平光面
G0.44

下单名称
order name | **XTD-216**
产品名称
product name | 线条灯回光槽铝材 - 回光槽
壁厚: 1.2mm
表面处理:
 喷涂沙纹白 其他颜色可定制
 喷涂沙纹黑
进口 PC 罩:
 乳白色 平光面
 黑色 平光面
G0.62

下单名称
order name | **XTD-217**
产品名称
product name | 线条灯回光槽铝材 - 回光槽
壁厚: 1.2mm
表面处理:
 喷涂沙纹白 其他颜色可定制
 喷涂沙纹黑
进口 PC 罩:
 乳白色 平光面
 黑色 平光面
G0.65

下单名称
order name | **XTD-218**
产品名称
product name | 线条灯回光槽铝材 - 10 公分顶角线
壁厚: 1.2mm
表面处理:
 喷涂沙纹白 其他颜色可定制
 喷涂沙纹黑
进口 PC 罩:
 乳白色 平光面
 黑色 平光面
G0.65

SURFACE-MOUNTED TRIANGULAR ALUMINUM PROFILE

下单名称
order name | **XTD-148**
产品名称
product name | 明装三角铝材 - 8*8 三角
壁厚: 0.8mm
表面处理:
 氧化碱砂白 喷涂沙纹黑
 普通氧化银 其他颜色可定制
进口 PC 罩:
 乳白色 平光面
 黑色 平光面
G0.035

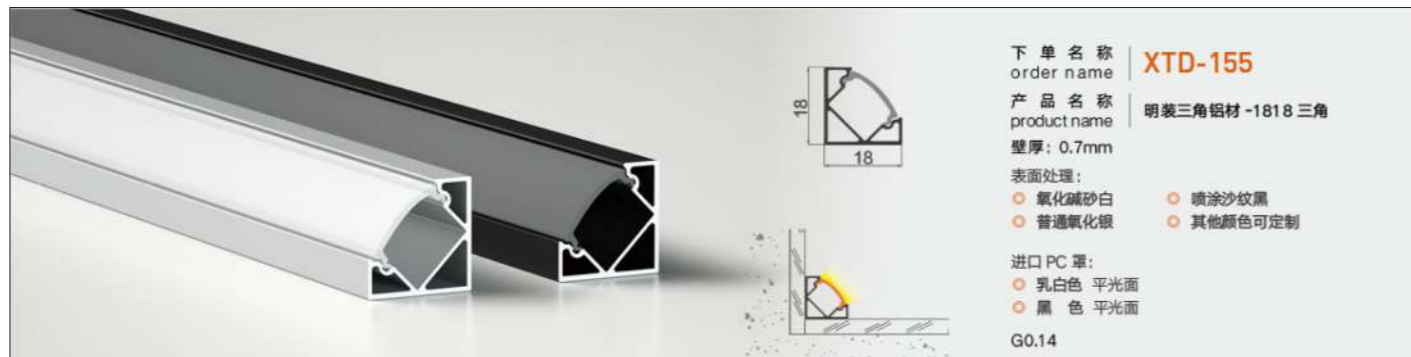
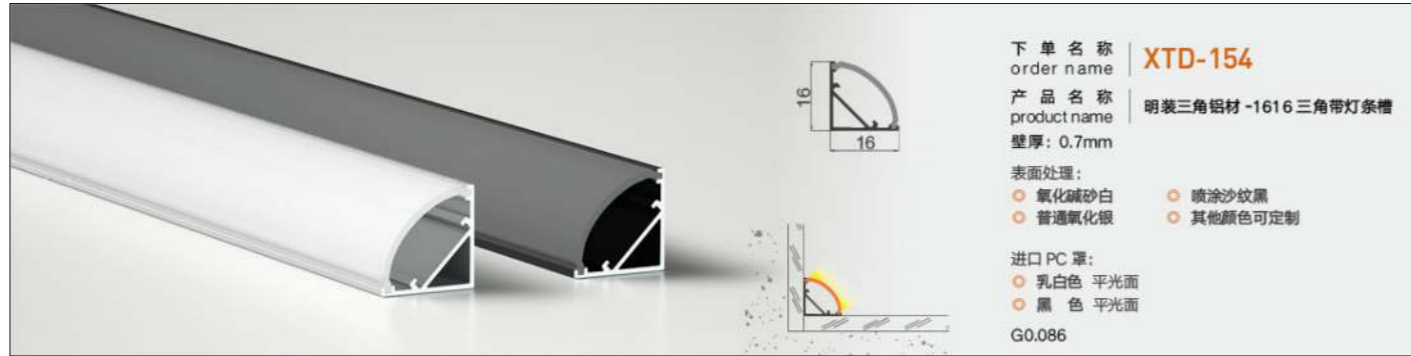
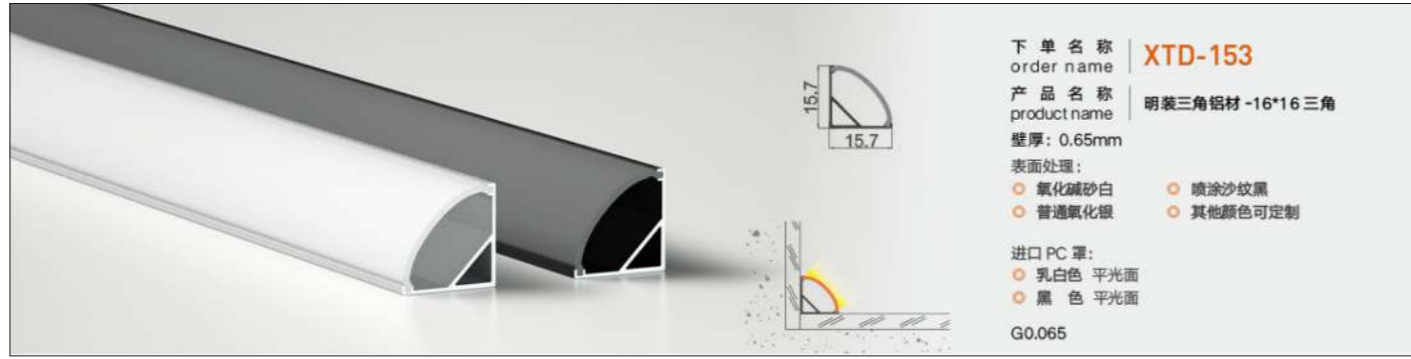
下单名称
order name | **XTD-149**
产品名称
product name | 明装三角铝材 - 8*8 三角
壁厚: 0.8mm
表面处理:
 氧化碱砂白 喷涂沙纹黑
 普通氧化银 其他颜色可定制
进口 PC 罩:
 乳白色 平光面
 黑色 平光面
G0.043

下单名称
order name | **XTD-150**
产品名称
product name | 明装三角铝材 - 10*10 三角
壁厚: 0.8mm
表面处理:
 氧化碱砂白 喷涂沙纹黑
 普通氧化银 其他颜色可定制
进口 PC 罩:
 乳白色 平光面
 黑色 平光面
G0.049

下单名称
order name | **XTD-151**
产品名称
product name | 明装三角铝材 - 13*13 三角
壁厚: 0.6mm
表面处理:
 氧化碱砂白 喷涂沙纹黑
 普通氧化银 其他颜色可定制
进口 PC 罩:
 乳白色 平光面
 黑色 平光面
G0.051

下单名称
order name | **XTD-152**
产品名称
product name | 明装三角铝材 - 16*16 三角厚款
壁厚: 1.1mm
表面处理:
 氧化碱砂白 喷涂沙纹黑
 普通氧化银 其他颜色可定制
进口 PC 罩:
 乳白色 平光面
 黑色 平光面
G0.11

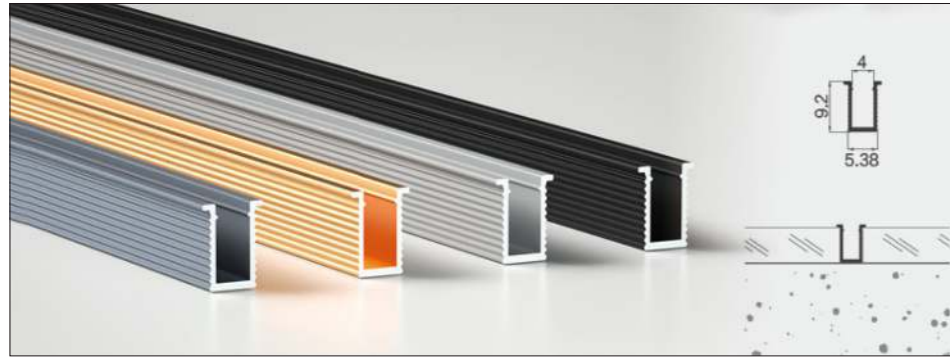
SURFACE-MOUNTED TRIANGULAR ALUMINUM PROFILE



SURFACE-MOUNTED TRIANGULAR ALUMINUM PROFILE



CABINET/WARDROBE ALUMINUM PROFILE




下单名称 order name **XTD-160**
 产品名称 product name 橱柜衣柜铝材 -0610 带边硅胶款
 壁厚: 0.7mm

表面处理:
 高端碱砂白 高端氧化金
 高端氧化黑 高端氧化铁灰

硅胶条:
 乳白色 硅胶条

G0.042




下单名称 order name **XTD-161**
 产品名称 product name 橱柜衣柜铝材 -1212 三角硅胶款
 壁厚: 0.7mm

表面处理:
 高端碱砂白 高端氧化金
 高端氧化黑 高端氧化铁灰

硅胶条:
 乳白色 硅胶条

G0.092




下单名称 order name **XTD-162**
 产品名称 product name 橱柜衣柜铝材
 壁厚: 0.7mm

表面处理:
 高端碱砂白 高端氧化金
 高端氧化黑 高端氧化铁灰

硅胶条:
 乳白色 硅胶条

G0.097

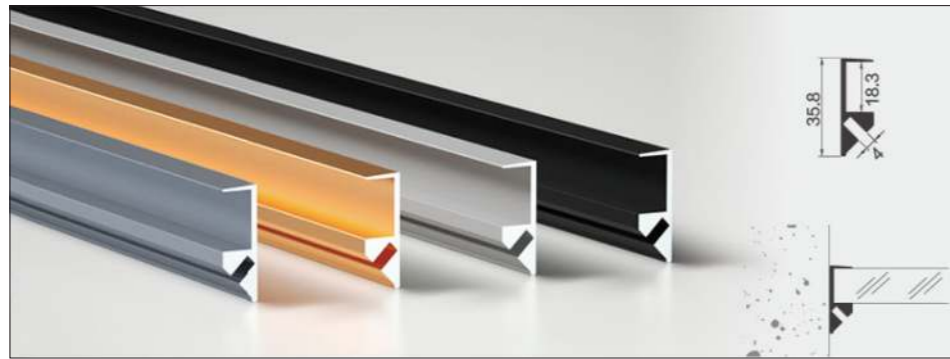


下单名称 order name **XTD-163**
 产品名称 product name 橱柜衣柜铝材 -18 厘层板灯硅胶款
 壁厚: 0.8mm

表面处理:
 高端碱砂白 高端氧化金
 高端氧化黑 高端氧化铁灰

硅胶条:
 乳白色 硅胶条

G0.094




下单名称 order name **XTD-164**
 产品名称 product name 橱柜衣柜铝材
 壁厚: 0.9mm

表面处理:
 高端碱砂白 高端氧化金
 高端氧化黑 高端氧化铁灰

硅胶条:
 乳白色 硅胶条

G0.382

CABINET/WARDROBE ALUMINUM PROFILE




下单名称 order name **XTD-165**
 产品名称 product name 橱柜衣柜铝材
 壁厚: 1.0mm

表面处理:
 高端碱砂白 高端氧化金
 高端氧化黑 高端氧化铁灰

硅胶条:
 乳白色 硅胶条

G0.166



下单名称 order name **XTD-166**
 产品名称 product name 橱柜衣柜铝材
 壁厚: 0.7mm

表面处理:
 高端碱砂白 高端氧化金
 高端氧化黑 高端氧化铁灰

硅胶条:
 乳白色 硅胶条

G0.112

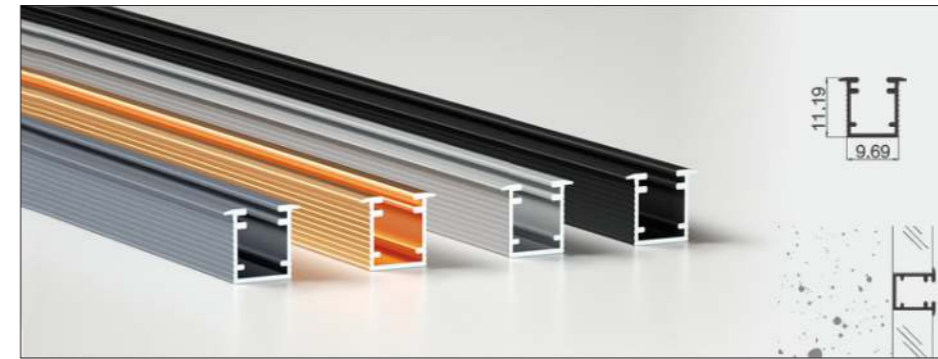


下单名称 order name **XTD-167**
 产品名称 product name 橱柜衣柜铝材
 壁厚: 0.8mm

表面处理:
 高端碱砂白 高端氧化金
 高端氧化黑 高端氧化铁灰

进口 PC 罩:
 乳白色 平光面 高端氧化金
 黑色 平光面 高端氧化铁灰

G0.086

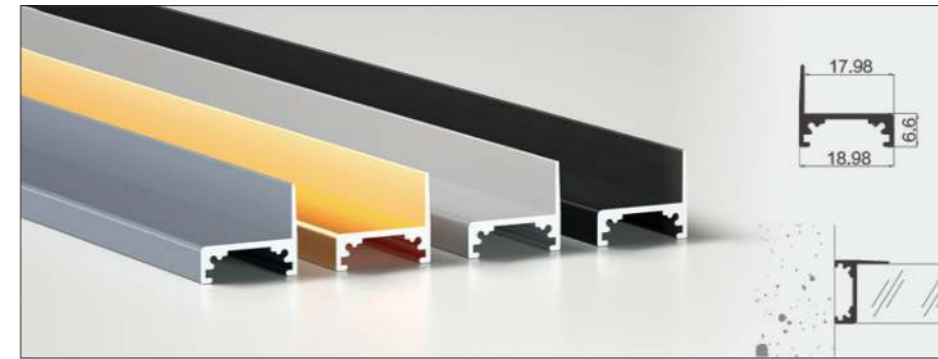


下单名称 order name **XTD-168**
 产品名称 product name 橱柜衣柜铝材
 壁厚: 0.7mm

表面处理:
 高端碱砂白 高端氧化金
 高端氧化黑 高端氧化铁灰

进口 PC 罩:
 乳白色 平光面 高端氧化金
 黑色 平光面 高端氧化铁灰

G0.08



下单名称 order name **XTD-169**
 产品名称 product name 橱柜衣柜铝材
 壁厚: 1.1mm

表面处理:
 高端碱砂白 高端氧化金
 高端氧化黑 高端氧化铁灰

进口 PC 罩:
 乳白色 平光面 高端氧化金
 黑色 平光面 高端氧化铁灰

G0.147

CABINET/WARDROBE ALUMINUM PROFILE



下单名称 | **XTD-170**
 order name
 产品名称 | 橱柜衣柜铝材
 product name
 壁厚: 1.3mm
 表面处理:
 高端碱砂白 高端氧化金
 高端氧化黑 高端氧化铁灰
 进口PC罩:
 乳白色 平光面
 黑色 平光面
 G0.27



下单名称 | **XTD-171**
 order name
 产品名称 | 橱柜衣柜铝材
 product name
 壁厚: 0.7mm
 表面处理:
 高端碱砂白 高端氧化金
 高端氧化黑 高端氧化铁灰
 进口PC罩:
 乳白色 平光面
 黑色 平光面
 G0.113



下单名称 | **XTD-172**
 order name
 产品名称 | 橱柜衣柜铝材
 product name
 壁厚: 0.7mm
 表面处理:
 高端碱砂白 高端氧化金
 高端氧化黑 高端氧化铁灰
 进口PC罩:
 乳白色 平光面
 黑色 平光面
 G0.062

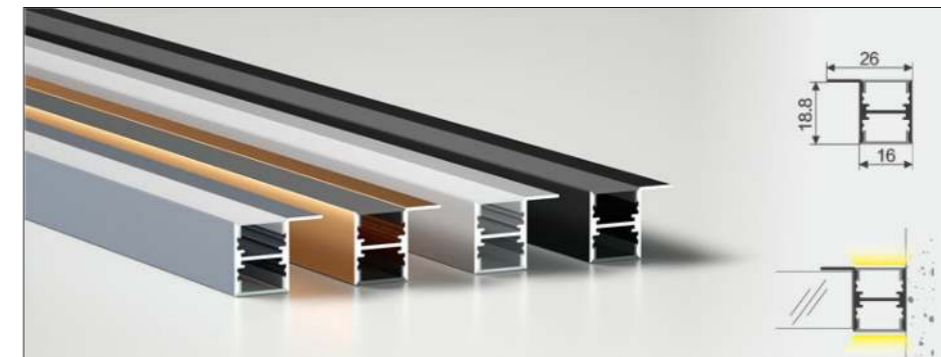


下单名称 | **XTD-173**
 order name
 产品名称 | 橱柜衣柜铝材
 product name
 壁厚: 1.2mm
 表面处理:
 高端碱砂白 高端氧化金
 高端氧化黑 高端氧化铁灰
 进口PC罩:
 乳白色 平光面
 黑色 平光面
 G0.14

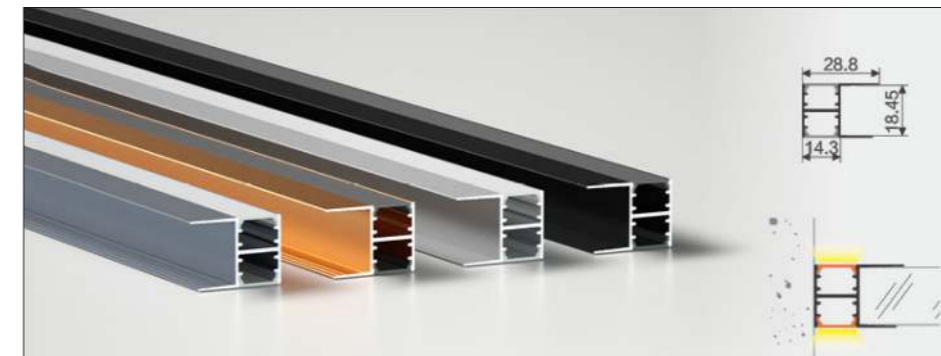


下单名称 | **XTD-174**
 order name
 产品名称 | 橱柜衣柜铝材
 product name
 壁厚: 1.2mm
 表面处理:
 高端碱砂白 高端氧化金
 高端氧化黑 高端氧化铁灰
 进口PC罩:
 乳白色 平光面
 黑色 平光面
 G0.122

CABINET/WARDROBE ALUMINUM PROFILE



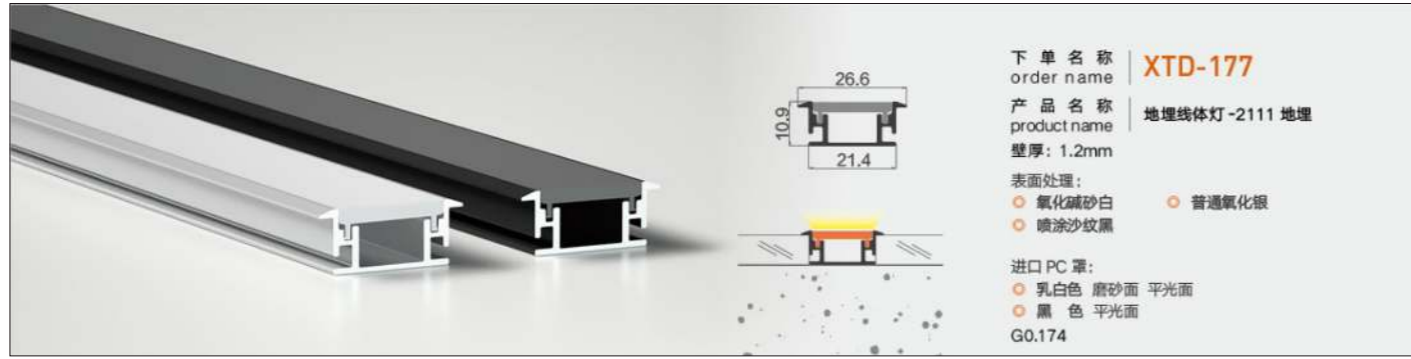
下单名称 | **XTD-175**
 order name
 产品名称 | 橱柜衣柜铝材
 product name
 壁厚: 0.8mm
 表面处理:
 高端碱砂白 高端氧化金
 高端氧化黑 高端氧化铁灰
 进口PC罩:
 乳白色 平光面
 黑色 平光面
 G0.18



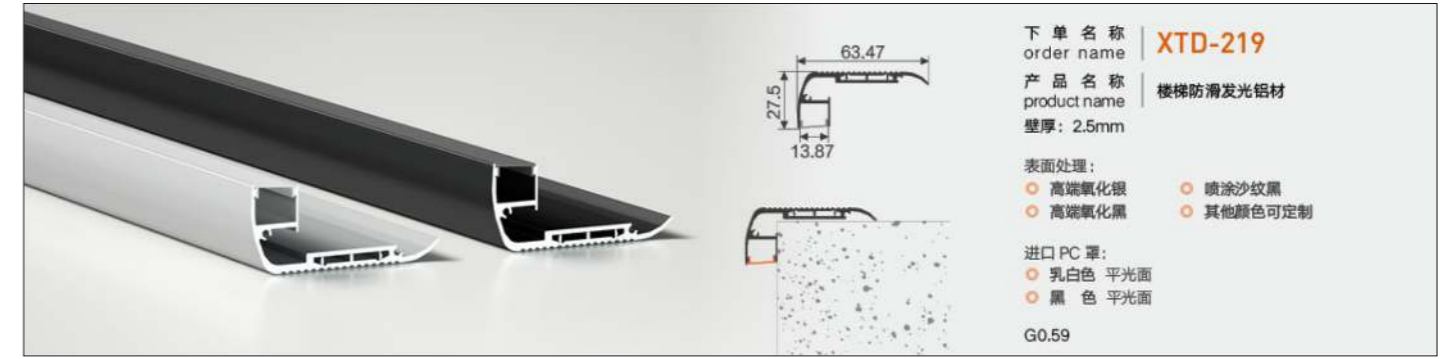
下单名称 | **XTD-176**
 order name
 产品名称 | 橱柜衣柜铝材
 product name
 壁厚: 0.8mm
 表面处理:
 高端碱砂白 高端氧化金
 高端氧化黑 高端氧化铁灰
 进口PC罩:
 乳白色 平光面
 黑色 平光面
 G0.2



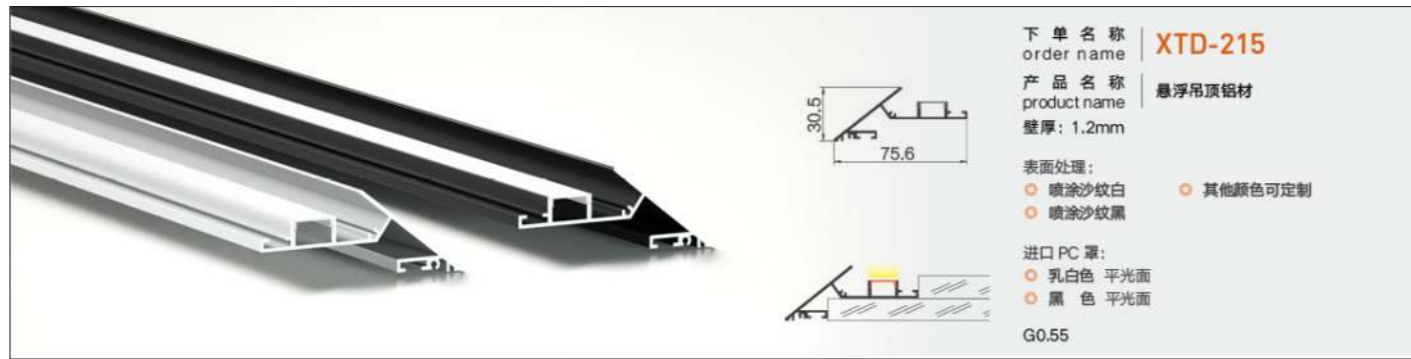
RECESSED LINEAR GROUND LIGHT



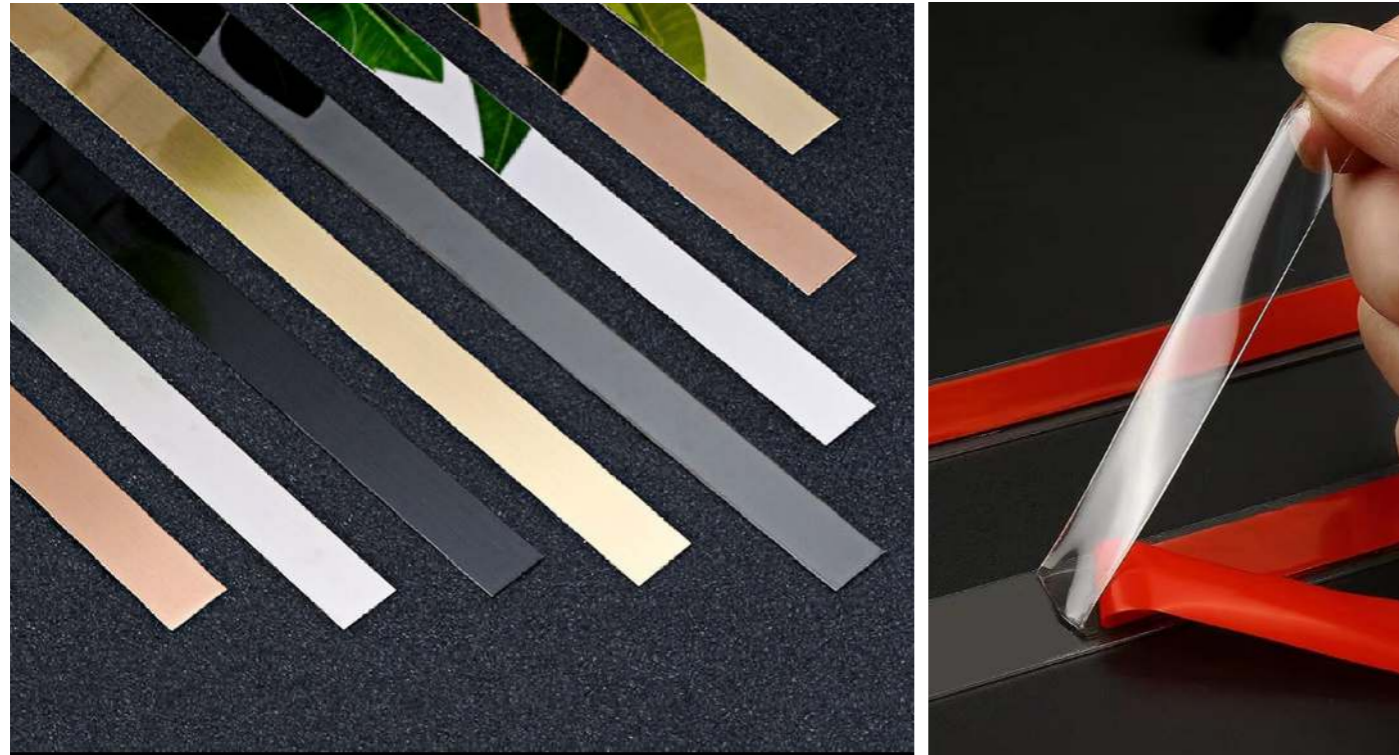
ANTI-SLIP STAIR LIGHTING



FLOATING CEILING ALUMINUM PROFILE



SKITING PROFILE—RMS-PT

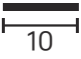
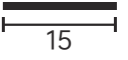

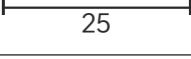
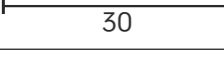
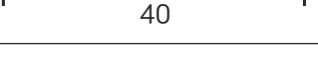


FRONT INSTALLATION ILLUSTRATION



Product parameters



RMS-PT-A10	
RMS-PT-A15	
RMS-PT-A20	
RMS-PT-A25	
RMS-PT-A30	
RMS-PT-A40	
Material: Stainless steel	

COLOR



Black glossy



Black brushed



Rose gold glossy



Rose gold brushed



Gold glossy



Gold brushed



Silver glossy



Silver brushed

Universal Series for Tiles and Flooring

ALUMINIUM ALLOY DECORATIVE WIRE

Universal Series for Tiles and Flooring 瓷砖 / 地板通用系列

		Model	8MM L Line Drawing
		Length	2.5MET/PCS
		Packaging	40 PCS/BOX

Color ▶ Matte Silver, Matte Orange Gold, Matte Black, Champagne, Grey

		Model	10MM L Line Drawing
		Length	2.5MET/PCS
		Packaging	40 PCS/BOX

Color ▶ Matte Silver, Matte Orange Gold, Matte Black, Champagne, Grey

		Model	12MM L Line Drawing
		Length	2.5MET/PCS
		Packaging	40 PCS/BOX

Color ▶ Matte Silver, Matte Orange Gold, Matte Black, Matte Champagne, Grey

		Model	15MM L Line Drawing
		Length	2.5MET/PCS
		Packaging	40 PCS/BOX

Color ▶ Matte Silver, Matte Orange Gold, Matte Black, Matte Champagne, Grey

Application Scope: Hardboard, Softboard, Wallboard, Stone, Glass, Fiberboard, Ecoboard, PVCboard, UVboard, Fireproofboard, (Used for Joining Two Boards Together for Styling)

<https://rongmeisi.en.alibaba.com>

简约的设计融合经典的生活理念，精湛绝伦的工艺蕴含着时代的气息。留在心中的那一种执着。



Universal Series for Tiles and Flooring

ALUMINIUM ALLOY DECORATIVE WIRE

Universal Series for Tiles and Flooring 瓷砖 / 地板通用系列

		Model	18MM L Line Drawing
		Length	2.5MET/PCS
		Packaging	40 PCS/BOX

Color ▶ Matte Silver, Matte Orange Gold, Matte Black, Champagne, Grey

		Model	10MM Triangle Edge Trim
		Length	2.5MET/PCS
		Packaging	40 PCS/BOX

Color ▶ Matte Silver, Matte Orange Gold, Matte Black, Champagne, Grey

		Model	12MM Triangle Edge Trim
		Length	2.5MET/PCS
		Packaging	40 PCS/BOX

Color ▶ Matte Silver, Matte Orange Gold, Matte Black, Matte Champagne, Grey

		Model	10MM Round Yang Corner Round Hole
		Length	2.5MET/PCS
		Packaging	40 PCS/BOX

Color ▶ Matte Silver, Matte Orange Gold, Matte Black, Matte Champagne, Grey

Application Scope: Hardboard, Softboard, Wallboard, Stone, Glass, Fiberboard, Ecoboard, PVCboard, UVboard, Fireproofboard, (Used for Joining Two Boards Together for Styling)

<https://rongmeisi.en.alibaba.com>

简约的设计融合经典的生活理念，精湛绝伦的工艺蕴含着时代的气息。留在心中的那一种执着。



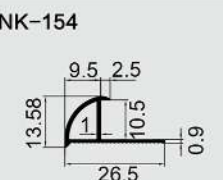

Universal Series for Tiles and Flooring

ALUMINIUM ALLOY DECORATIVE WIRE

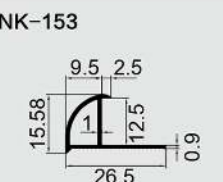
Universal Series for Tiles and Flooring 瓷砖 / 地板通用系列

		Model	12MM Round Yang Corner Round Hole
		Length	2.5MET/PCS
		Packaging	40 PCS/BOX

Color ▶ Matte Silver、Matte Orange Gold、Matte Black、Matte Champagne、Grey

		Model	10MM Round outside Corner
		Length	2.5MET/PCS
		Packaging	40 PCS/BOX

Color ▶ Matte Silver、Matte Orange Gold、Matte Black、Matte Champagne、Grey

		Model	12MM Round outside Corner
		Length	2.5MET/PCS
		Packaging	40 PCS/BOX

Color ▶ Matte Silver、Matte Orange Gold、Matte Black、Matte Champagne、Grey

Application Scope: Hardboard, Softboard, Wallboard, Stone, Glass, Fiberboard, Ecoboard, PVCboard, UVboard, Fireproofboard, (Used for Joining Two Boards Together for Styling)

<https://rongmeisi.en.alibaba.com>

简约的设计融合经典的生活理念，精湛绝伦的工艺蕴含着时代的气息。留在心中的那一种执着。



Universal Series for Tiles and Flooring

ALUMINIUM ALLOY DECORATIVE WIRE

Universal Series for Tiles and Flooring 瓷砖 / 地板通用系列

		Model	10*10圆孔几字
		Length	2.7MET/PCS
		Packaging	40 PCS/BOX

Color ▶ Matte Silver、Matte Orange Gold、Matte Black、Matte Champagne、Grey

		Model	12*12圆孔几字
		Length	2.7MET/PCS
		Packaging	40 PCS/BOX

Color ▶ Matte Silver、Matte Orange Gold、Matte Black、Matte Champagne、Grey

		Model	8*12圆孔几字
		Length	2.7MET/PCS
		Packaging	40 PCS/BOX

Color ▶ Matte Silver、Matte Orange Gold、Matte Black、Matte Champagne、Grey

Application Scope: Hardboard, Softboard, Wallboard, Stone, Glass, Fiberboard, Ecoboard, PVCboard, UVboard, Fireproofboard, (Used for Joining Two Boards Together for Styling)

<https://rongmeisi.en.alibaba.com>

简约的设计融合经典的生活理念，精湛绝伦的工艺蕴含着时代的气息。留在心中的那一种执着。



Universal Series for Tiles and Flooring

ALUMINIUM ALLOY DECORATIVE WIRE

瓷砖 / 地板通用系列

		Model	8MM Square outside Corner
		Length	2.7MET/PCS
		Packaging	40 PCS/BOX

Color ▶ Matte Silver, Matte Orange Gold, Matte Black, Matte Champagne, Grey

		Model	10MM Square outside Corner
		Length	2.7MET/PCS
		Packaging	40 PCS/BOX

Color ▶ Matte Silver, Matte Orange Gold, Matte Black, Matte Champagne, Grey

		Model	12MM Square outside Corner
		Length	2.7MET/PCS
		Packaging	40 PCS/BOX

Color ▶ Matte Silver, Matte Orange Gold, Matte Black, Matte Champagne, Grey

		Model	15MM Square outside Corner
		Length	2.7MET/PCS
		Packaging	40 PCS/BOX

Color ▶ Matte Silver, Matte Orange Gold, Matte Black, Matte Champagne, Grey

Application Scope: Hardboard, Softboard, Wallboard, Stone, Glass, Fiberboard, Ecoboard, PVCboard, UVboard, Fireproofboard, (Used for Joining Two Boards Together for Styling)

<https://rongmeisi.en.alibaba.com>

简约的设计融合经典的生活理念，精湛绝伦的工艺蕴含着时代的气息。留在心中的那一种执着。



Universal Series for Tiles and Flooring

ALUMINIUM ALLOY DECORATIVE WIRE

三叉阳角系列

		Model	Y outside Corner 1
		Length	2.7MET/PCS
		Packaging	40 PCS/BOX

Color ▶ Matte Silver, Matte Orange Gold, Matte Black, Matte Champagne, Grey

		Model	Y outside Corner 2
		Length	2.7MET/PCS
		Packaging	40 PCS/BOX

Color ▶ Matte Silver, Matte Orange Gold, Matte Black, Matte Champagne, Grey

		Model	Y outside Corner 3
		Length	2.7MET/PCS
		Packaging	40 PCS/BOX

Color ▶ Matte Silver, Matte Orange Gold, Matte Black, Matte Champagne, Grey

Application Scope: Hardboard, Softboard, Wallboard, Stone, Glass, Fiberboard, Ecoboard, PVCboard, UVboard, Fireproofboard, (Used for Joining Two Boards Together for Styling)

<https://rongmeisi.en.alibaba.com>

简约的设计融合经典的生活理念，精湛绝伦的工艺蕴含着时代的气息。留在心中的那一种执着。





www.Shinebaseboard.com



WHATSAPP



WECHAT




TIKTOK


FOSHAN RONGMEISI ALUMINUM CO., LTD

 +86-18924862019

 hailie@shinebaseboard.com

 Rongmeisi aluminium alloy

 <https://rongmeisi.en.alibaba.com/>

 Building B, Tongbao Office Building, Dali Town,
Nanhai District, Foshan City, Guangdong Province, China

 Hailie Shen